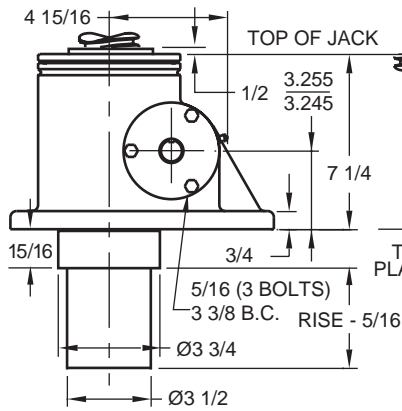


JOYCE STAINLESS STEEL JACKS

20 Ton

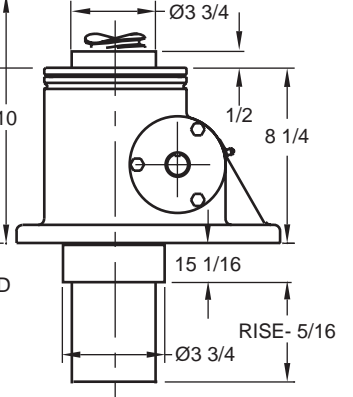
SWJ 820/2420
DSWJ 820/2420

Upright

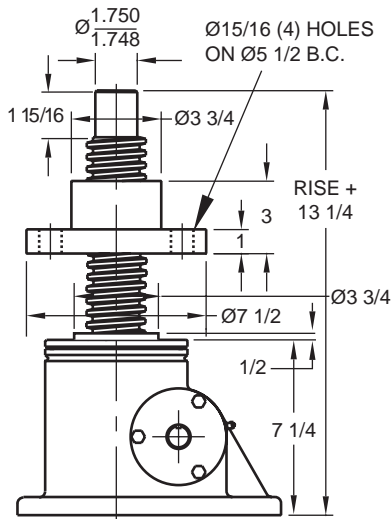


END CONDITIONS (SHOWN AT MINIMUM CLOSED DIMENSIONS)

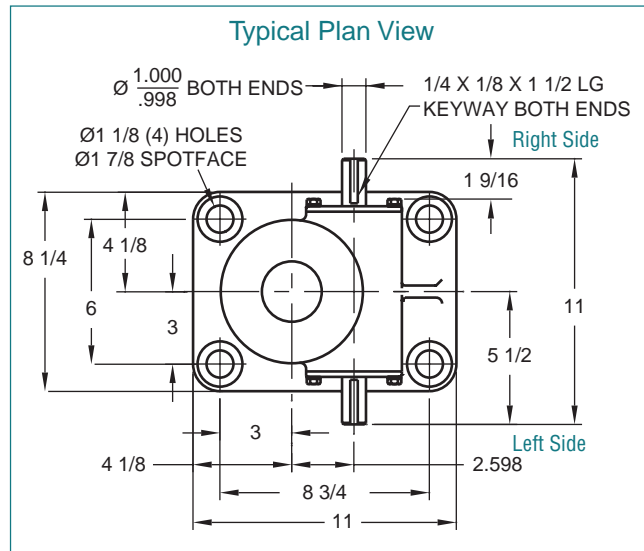
Upright keyed



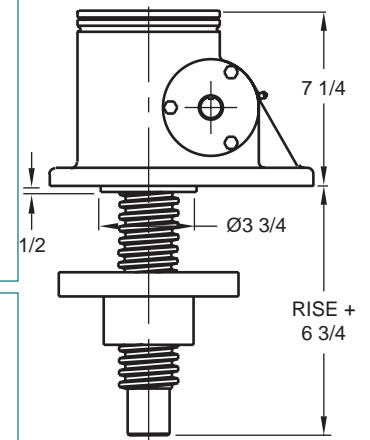
Upright traveling nut



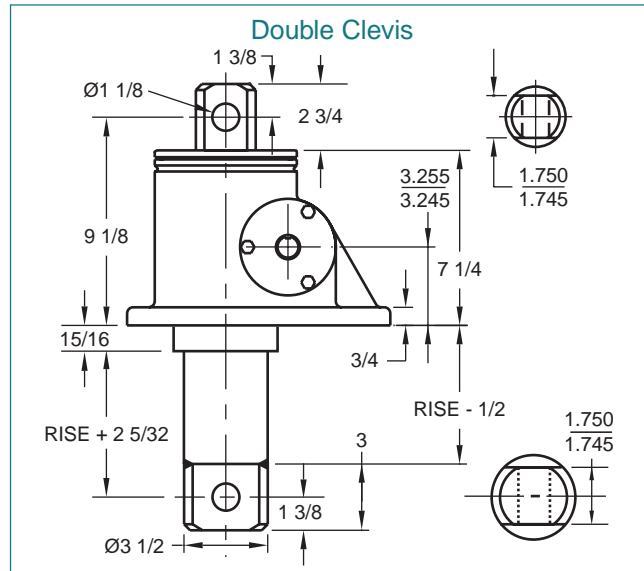
Typical Plan View



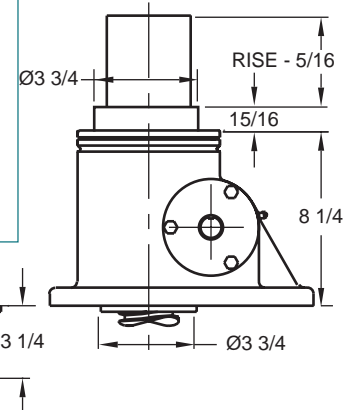
Inverted traveling nut



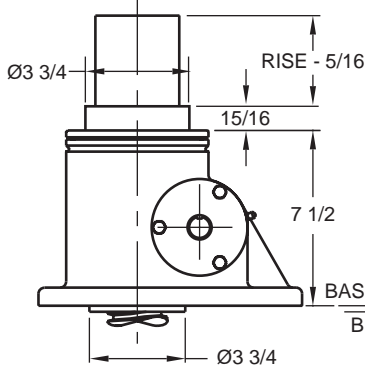
Double Clevis



Inverted keyed



Inverted



Note: Drawings are artist's conception — not for certification; dimensions are subject to change without notice.