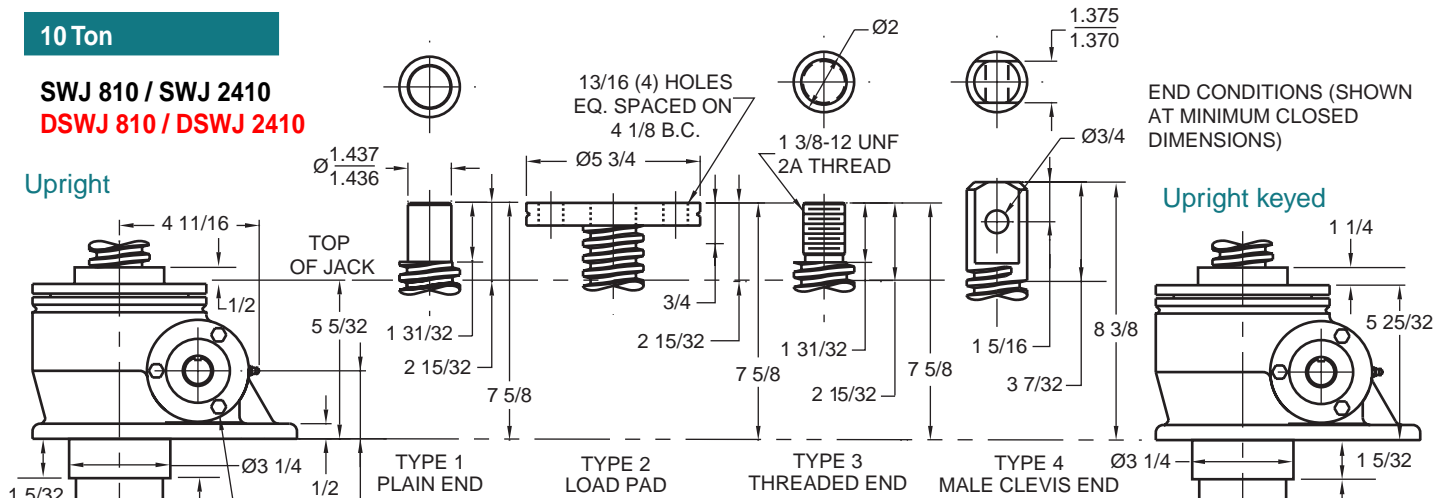


# JOYCE STAINLESS STEEL JACKS

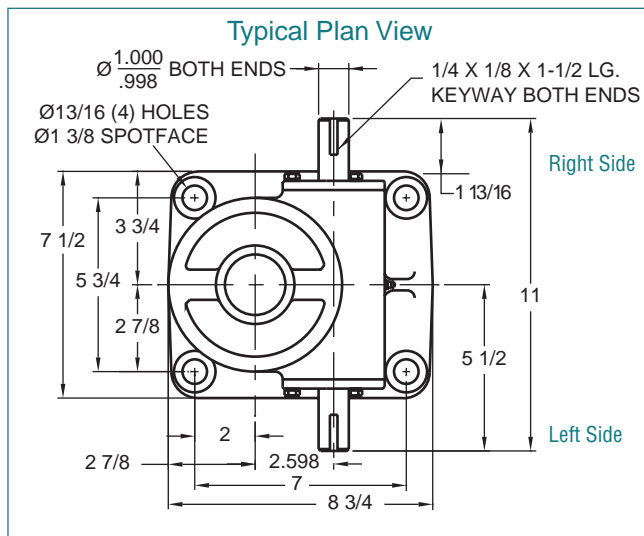
10 Ton

SWJ 810 / SWJ 2410  
DSWJ 810 / DSWJ 2410

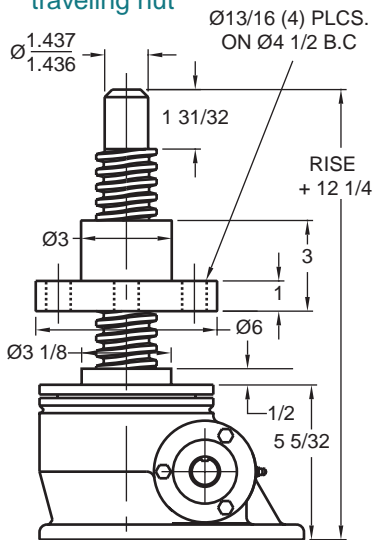
Upright



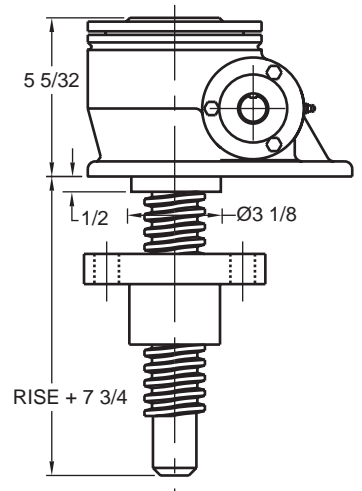
Typical Plan View



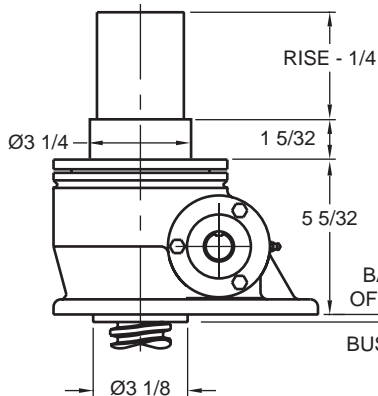
Upright traveling nut



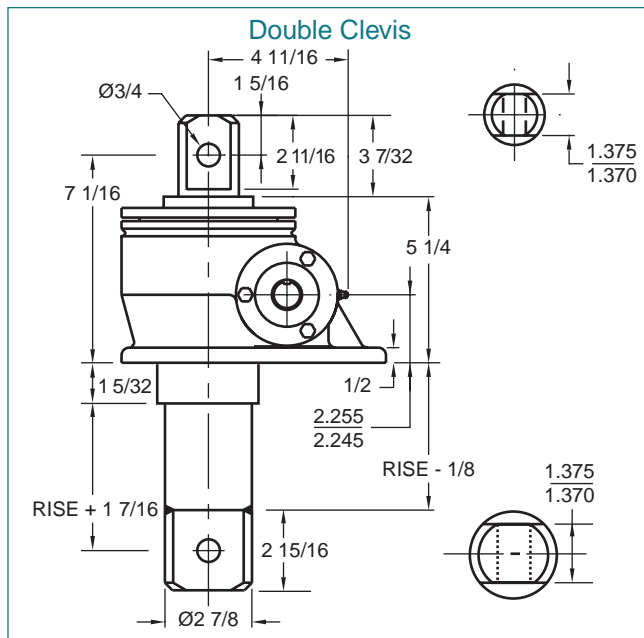
Inverted traveling nut



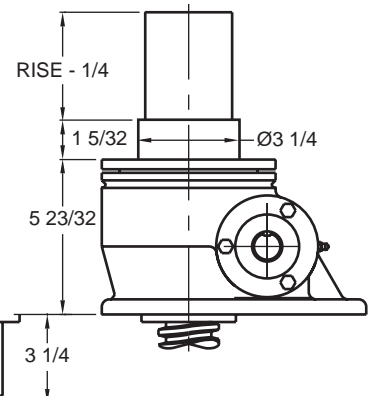
Inverted



Double Clevis



Inverted keyed



Note: Drawings are artist's conception — not for certification; dimensions are subject to change without notice.