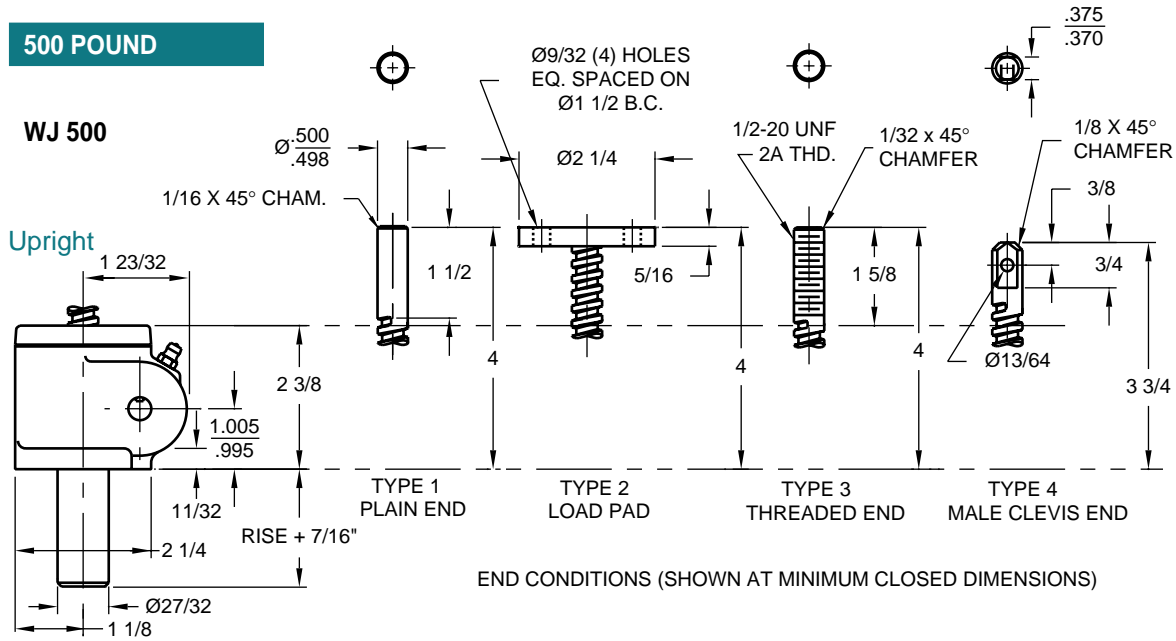


# JOYCE MACHINE SCREW JACKS

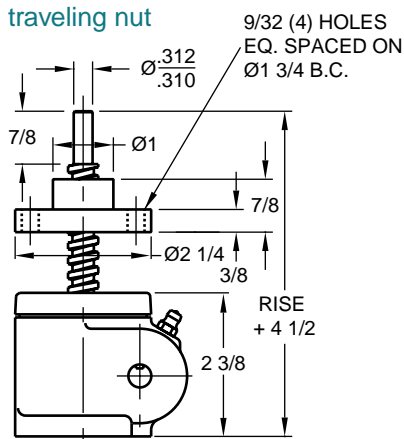
500 POUND

WJ 500

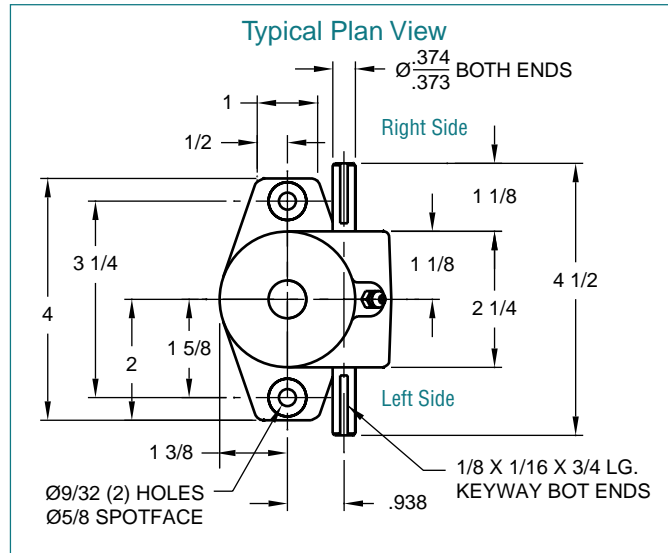
Upright



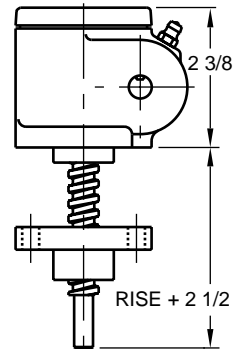
Upright  
traveling nut



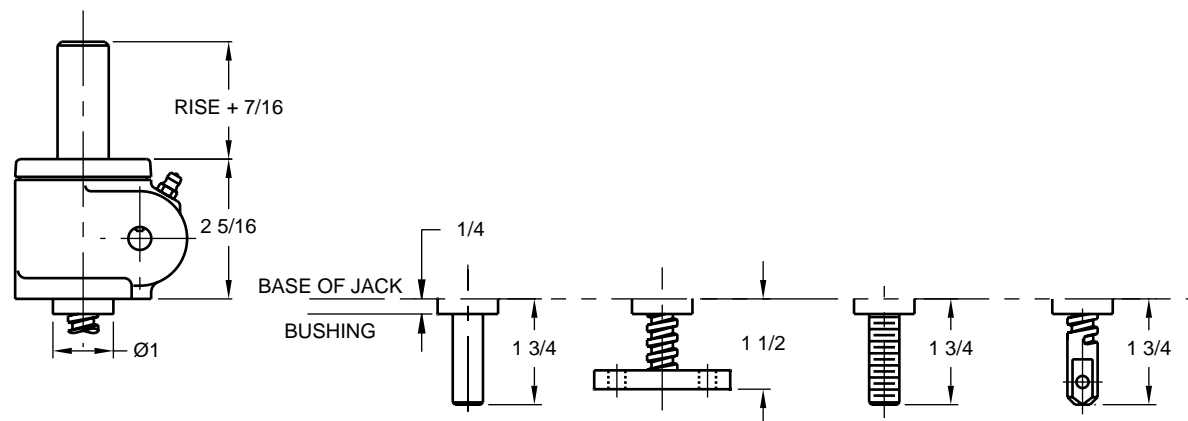
Typical Plan View



Inverted  
traveling nut



Inverted



Note: Drawings are artist's conception — not for certification; dimensions are subject to change without notice.