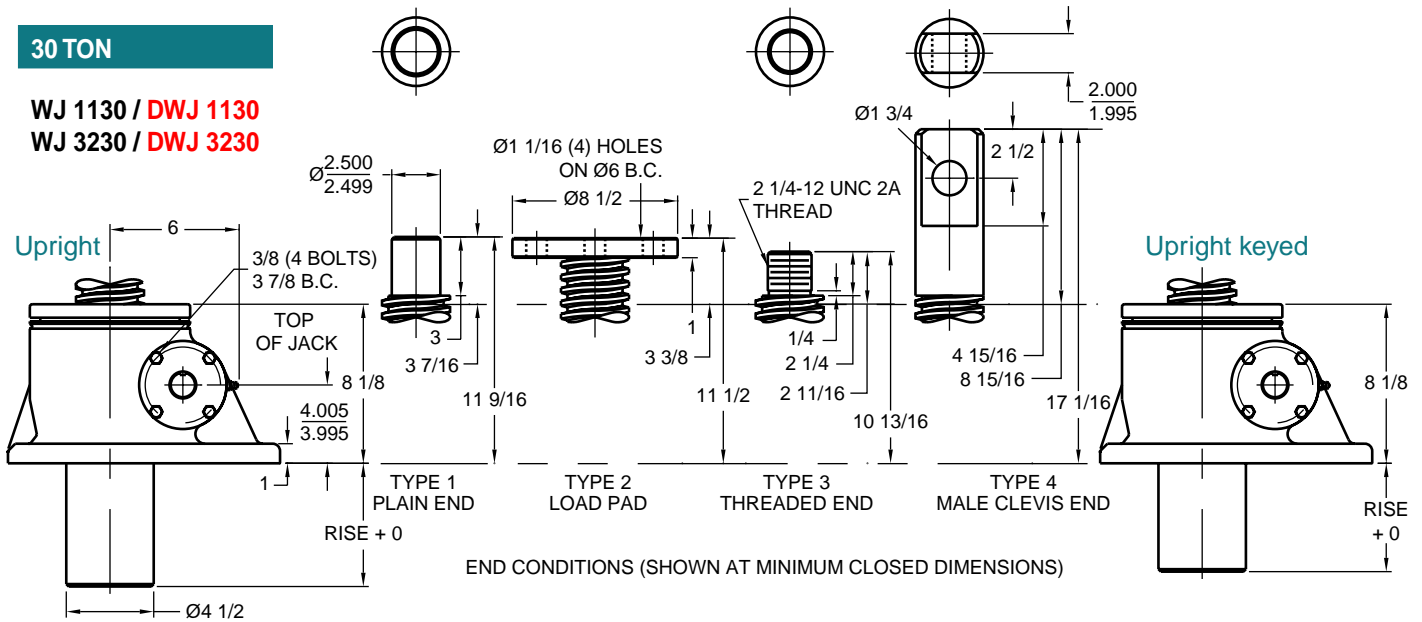


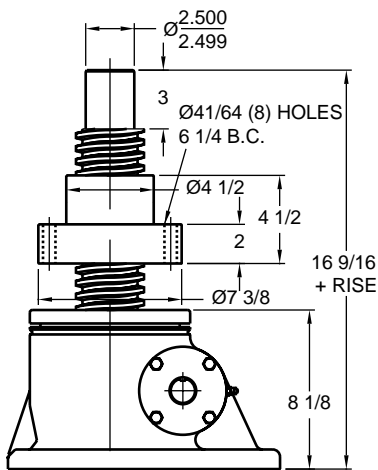
# JOYCE MACHINE SCREW JACKS

30 TON

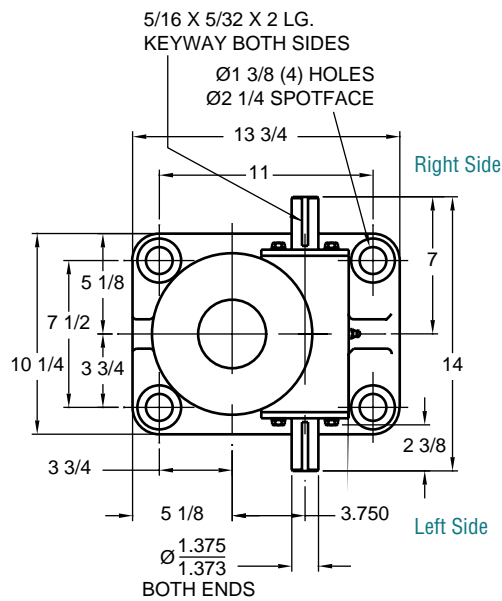
WJ 1130 / DWJ 1130  
WJ 3230 / DWJ 3230



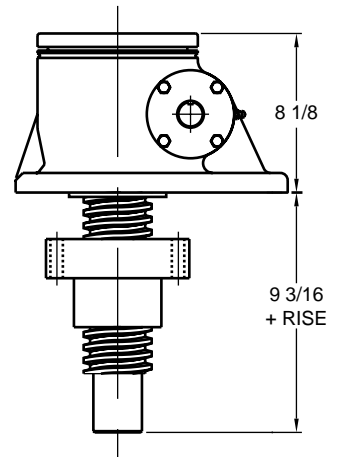
**Upright traveling nut**



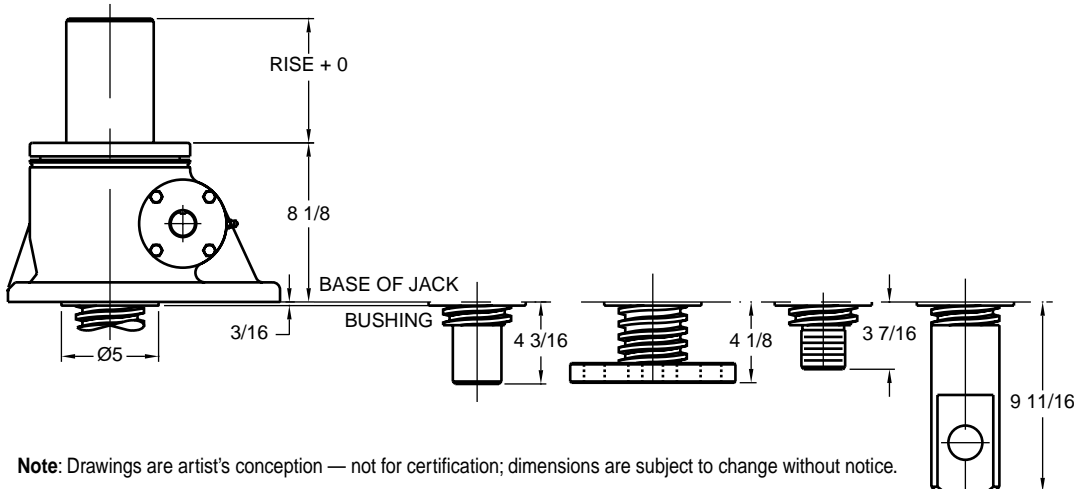
**Typical Plan View**



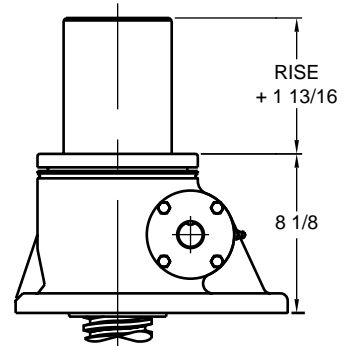
**Inverted traveling nut**



**Inverted**



**Inverted keyed**



Note: Drawings are artist's conception — not for certification; dimensions are subject to change without notice.