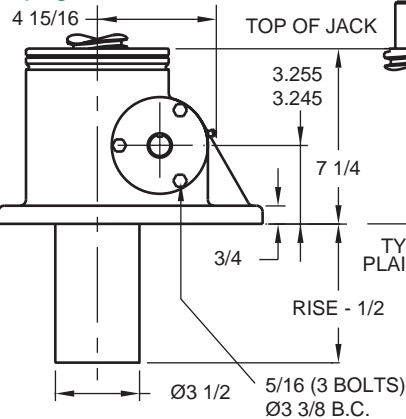


JOYCE MACHINE SCREW JACKS

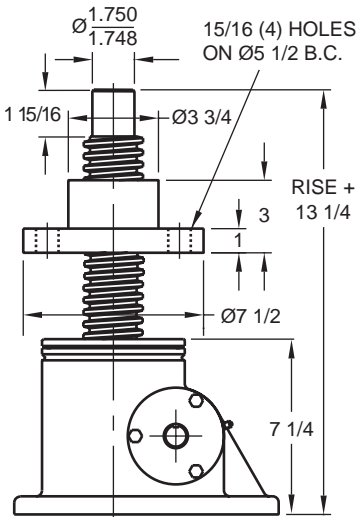
20 TON

WJ 820 / DWJ 820
WJ 2420 / DWJ 2420

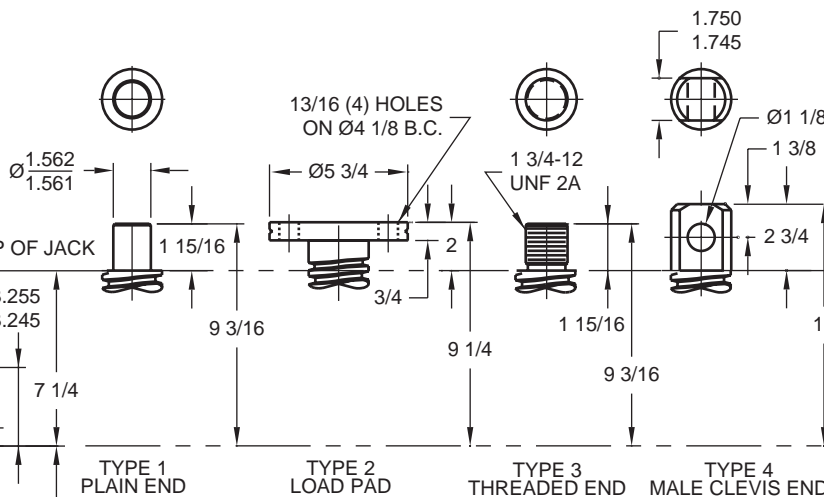
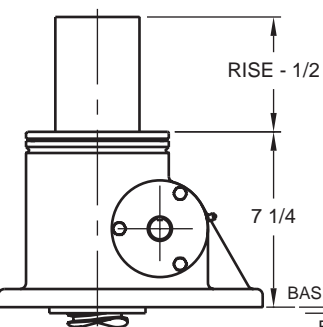
Upright



Upright traveling nut

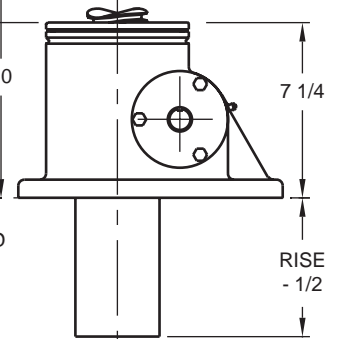


Inverted

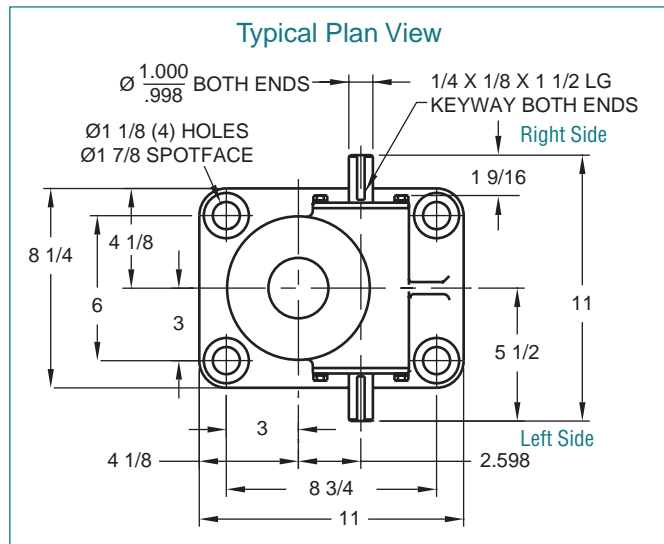


END CONDITIONS (SHOWN AT MINIMUM CLOSED DIMENSIONS)

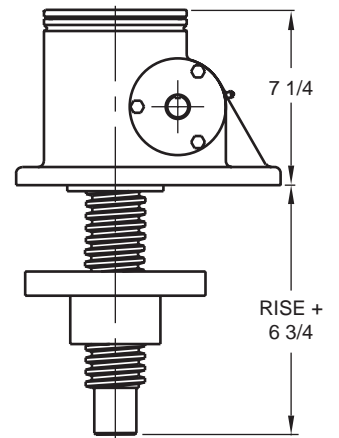
Upright keyed



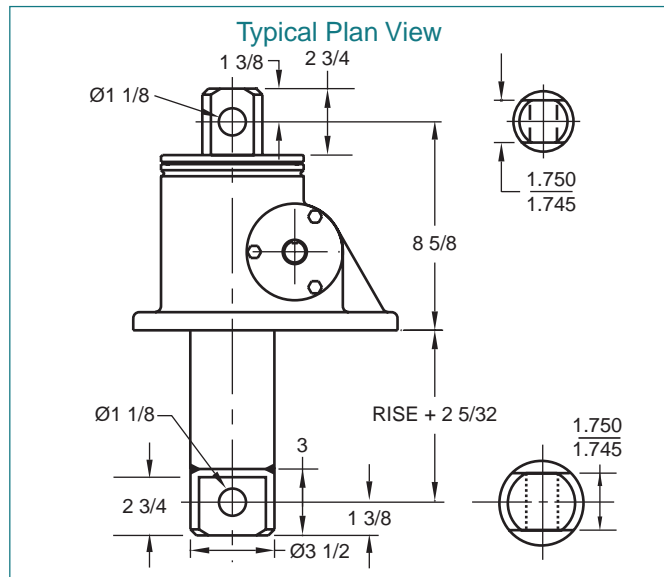
Typical Plan View



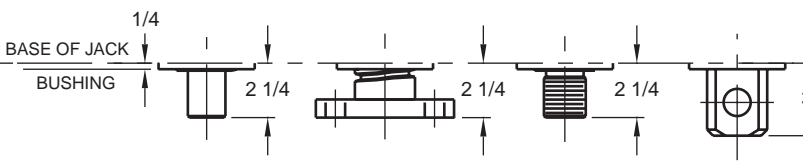
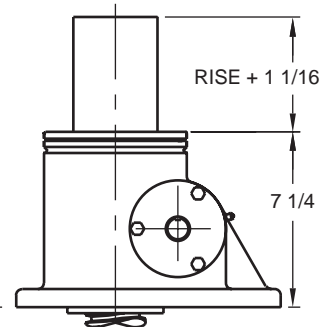
Inverted traveling nut



Typical Plan View



Inverted keyed



Note: Drawings are artist's conception — not for certification; dimensions are subject to change without notice.