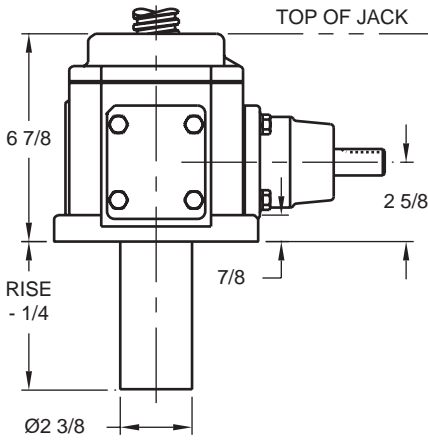


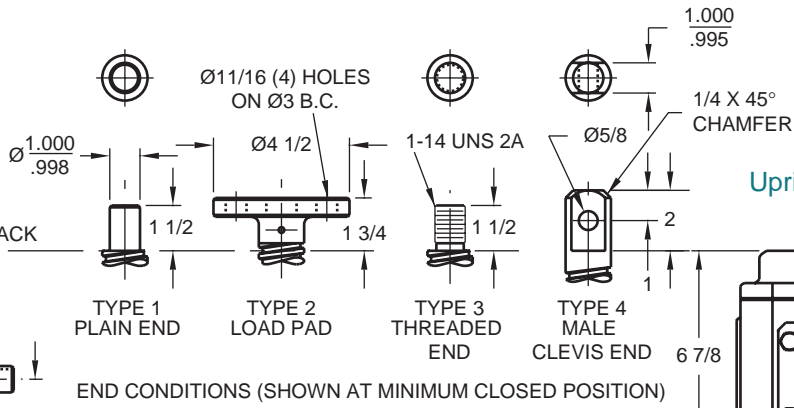
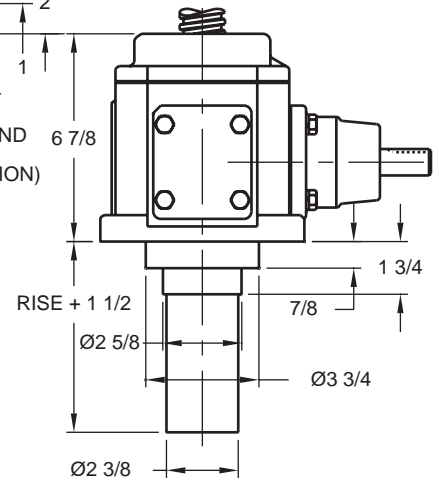
JOYCE BEVEL GEAR® JACKS

BG 150

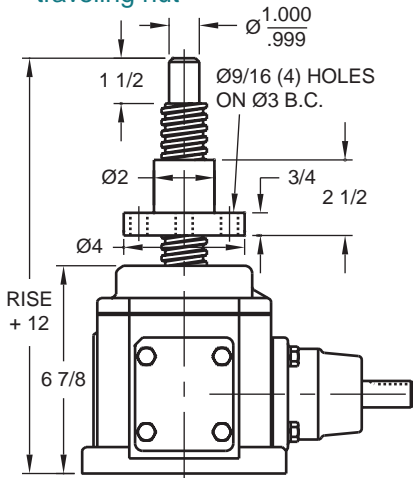
Upright



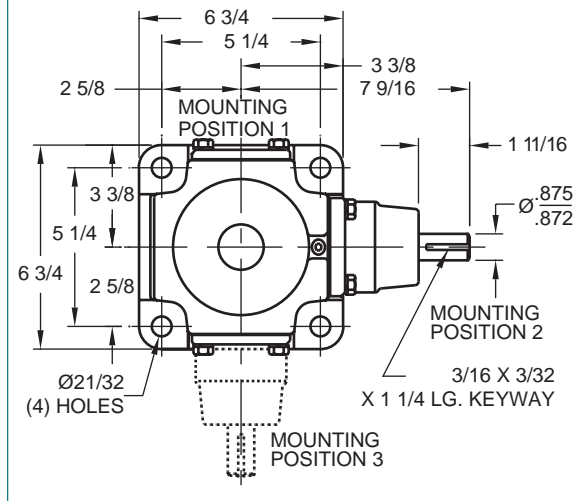
Upright keyed



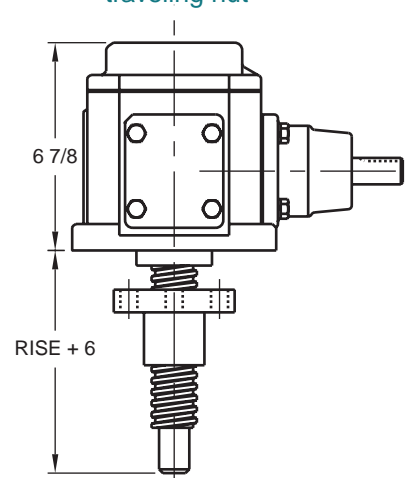
Upright traveling nut



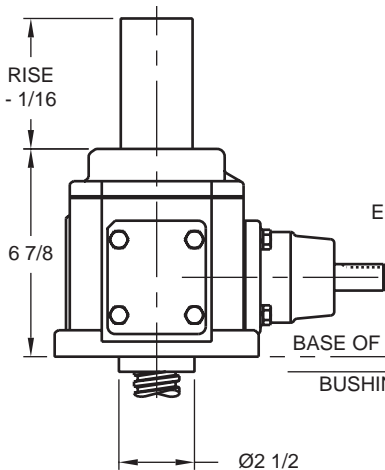
Typical Plan View



Inverted traveling nut

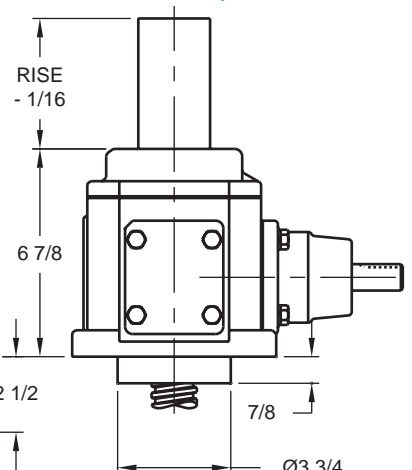


Inverted



END CONDITIONS (SHOWN AT MINIMUM CLOSED POSITION)
(DOES NOT APPLY TO INVERTED KEYED JACK)

Inverted keyed



Note: Drawings are artist's conception — not for certification; dimensions are subject to change without notice.