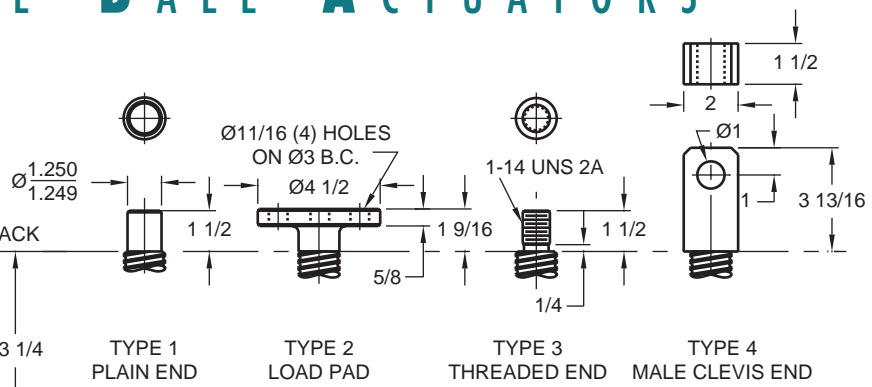
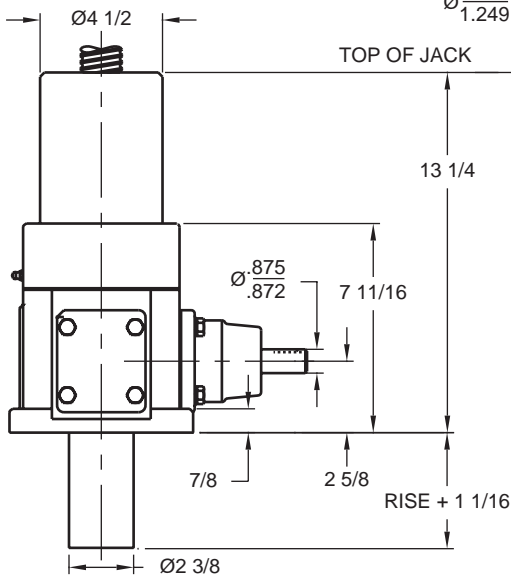


JOYCE BEVEL BALL ACTUATORS

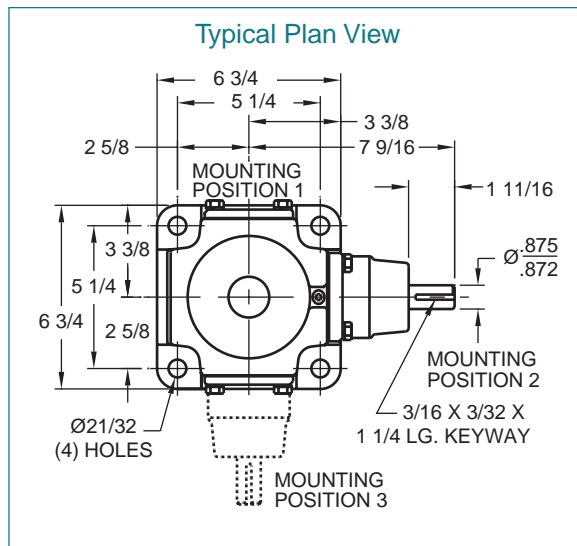
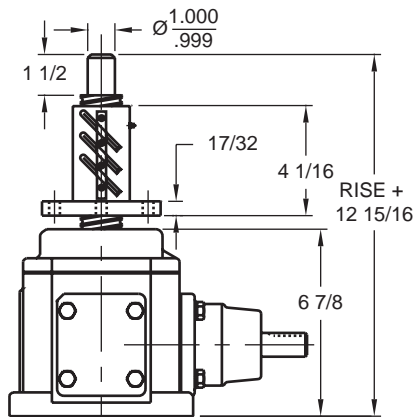
BB 150

Upright

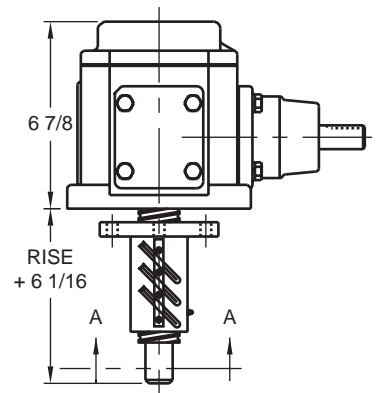


END CONDITIONS (SHOWN AT MINIMUM CLOSED POSITION)

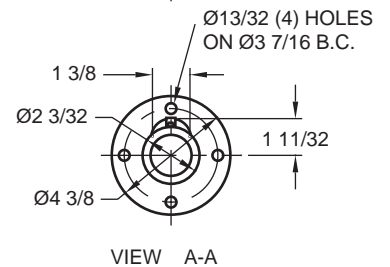
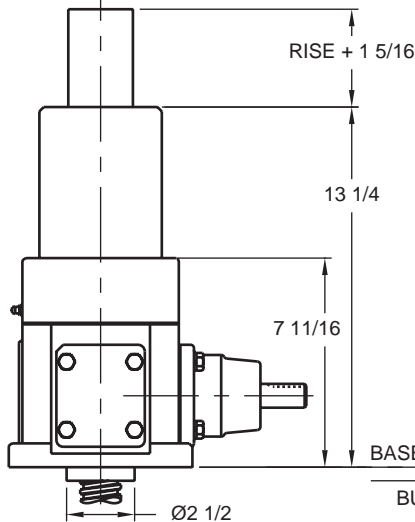
Upright traveling nut



Inverted traveling nut



Inverted



Note: Drawings are artist's conception — not for certification; dimensions are subject to change without notice.