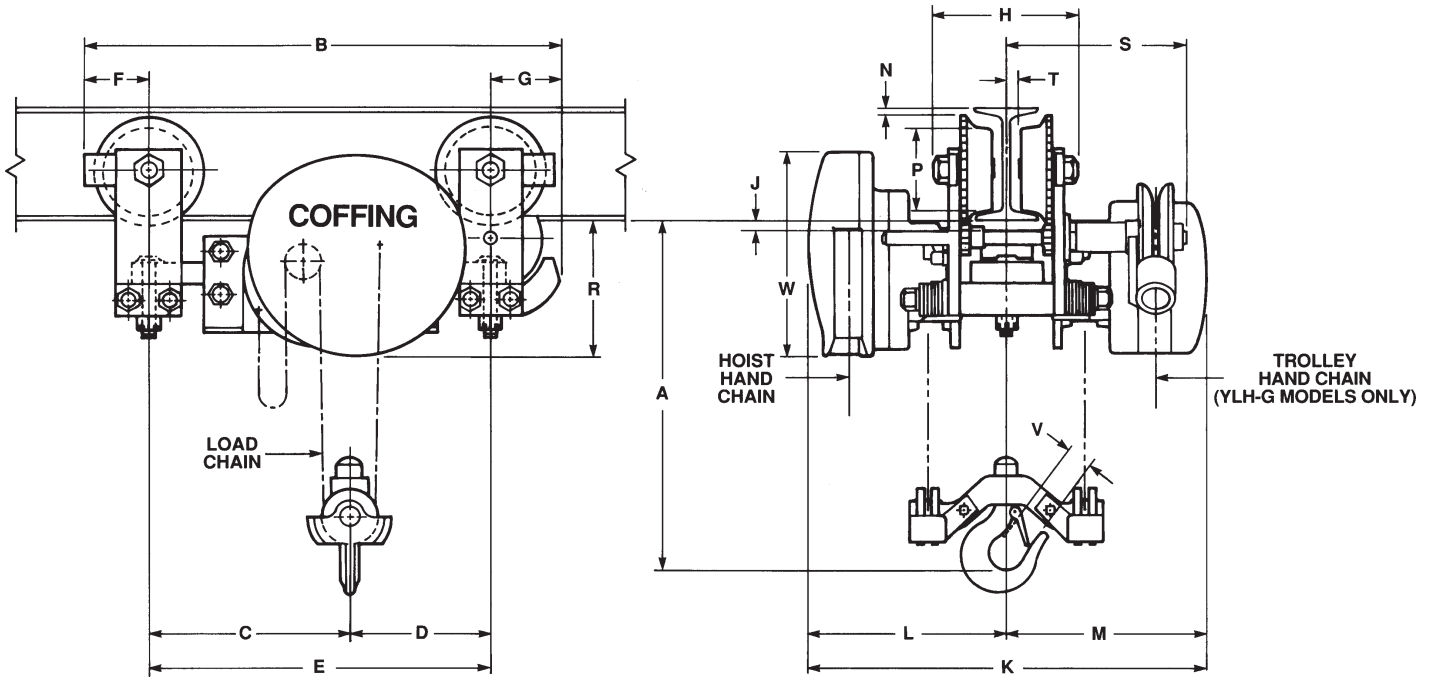


YLH 1/2 to 12 Ton



REEVING DIFFERS FOR 4, 5, 6, 8, 10 & 12-TON MODELS.

Dimensions

Model Number	A	B	C	D	E	F	G	*	**	J	K	L	M	*	P	**	*††	*	V	W
YLH-1/2P(G)	6	23 ⁵ / ₈	10	7 ³ / ₈	17 ³ / ₈	3	3 ¹ / ₄	6 ¹ / ₈	1/2	18	9 ¹ / ₈	8 ⁷ / ₈	1/8	3 ¹ / ₈	6 ¹ / ₂	8	7 ¹ / ₁₆	11 ¹ / ₃₂	9 ¹ / ₂	
YLH-1P(G)	6	22 ¹ / ₈	9 ¹ / ₄	6 ⁵ / ₈	15 ⁷ / ₈	3	3 ¹ / ₄	7	5/8	18 ⁷ / ₈	9 ¹ / ₂	9 ³ / ₈	3/16	4	6 ¹ / ₂	8 ³ / ₈	5/8	15 ¹ / ₃₂	9 ¹ / ₂	
YLH-1 1/2P(G)	6 1/2	22 ¹ / ₈	9 1/4	6 5/8	15 7/8	3	3 1/4	7	5/8	18 7/8	9 1/2	9 3/8	3/16	4	6 1/2	8 3/8	5/8	15 1/16	9 1/2	
YLH-2P(G)	7	22 ⁷ / ₈	9 ¹ / ₂	6 ⁷ / ₈	16 ³ / ₈	3 ¹ / ₄	3 ¹ / ₄	8 ¹ / ₈	9/16	19 ³ / ₈	9 ¹³ / ₁₆	9 ⁹ / ₁₆	3/16	4 ⁷ / ₈	6 ³ / ₄	8 ³ / ₈	5/8	11 ¹ / ₃₂	9 ¹ / ₂	
YLH-3P(G)	7 1/4	22 ⁷ / ₈	9 1/2	6 7/8	16 3/8	3 1/4	3 1/4	8 1/8	9/16	19 3/8	9 13/16	9 9/16	3/16	4 7/8	6 3/4	8 3/8	5/8	11 1/32	9 1/2	
YLH-4P(G)	9 1/4	36 1/2	13 1/8	14 1/8	27 1/4	4 1/4	5	9 3/4	3/4	26 1/4	14 1/16	12 3/16	15/16	6	8 5/8	13 1/4	13/16	11 5/32	11 1/2	
YLH-5P(G)	10 3/8	36 1/2	13 1/8	14 1/8	27 1/4	4 1/4	5	9 3/4	3/4	26 1/4	14 1/16	12 3/16	15/16	6	8 5/8	13 1/4	13/16	13 1/32	11 1/2	
YLH-6P(G)	10 3/8	36 1/2	13 1/8	14 7/8	27 1/4	4 1/4	5	9 3/4	3/4	26 1/4	14 1/16	12 3/16	15/16	6	8 5/8	13 1/4	13/16	11 5/32	11 1/2	
YLH-8P(G)	10 7/8	38 1/4	12 3/8	14 7/8	27 1/4	5 1/4	5 3/4	12 3/4	3/4	26 1/4	14 1/16	12 3/16	5/8	8	8 5/8	14 3/4	11/16	2 1/4	11 1/2	
YLH-10P(G)	14	38 1/4	12 3/8	14 7/8	27 1/4	5 1/4	5 3/4	12 3/4	3/4	26 1/4	14 1/16	12 3/16	5/8	8	8 5/8	14 3/4	11/16	2 23/32	11 1/2	
YLH-12P(G)	14	38 1/4	12 3/8	14 7/8	27 1/4	5 1/4	5 3/4	12 3/4	3/4	26 1/4	14 1/16	12 3/16	5/8	8	8 5/8	14 3/4	11/16	2 23/32	11 1/2	

* Dimensions H, N, S, T are shown for minimum I-beam and increases proportionately for larger beams.

** Dimensions A, J and R are shown for minimum I-beam and decreases proportionately for larger beams.

†† YLH-G dimensions only.

Dimensions are in inches unless otherwise indicated.

Model Number	Beam Size
YLH-1/2P(G)	4 - 12
YLH-1P(G)	5 - 12
YLH-1 1/2P(G)	5 - 12
YLH-2P(G)	6 - 18
YLH-3P(G)	6 - 18
YLH-4P(G)	8 - 24
YLH-5P(G)	8 - 24
YLH-6P(G)	8 - 24
YLH-8P(G)	10 - 24
YLH-10P(G)	10 - 24
YLH-12P(G)	10 - 24