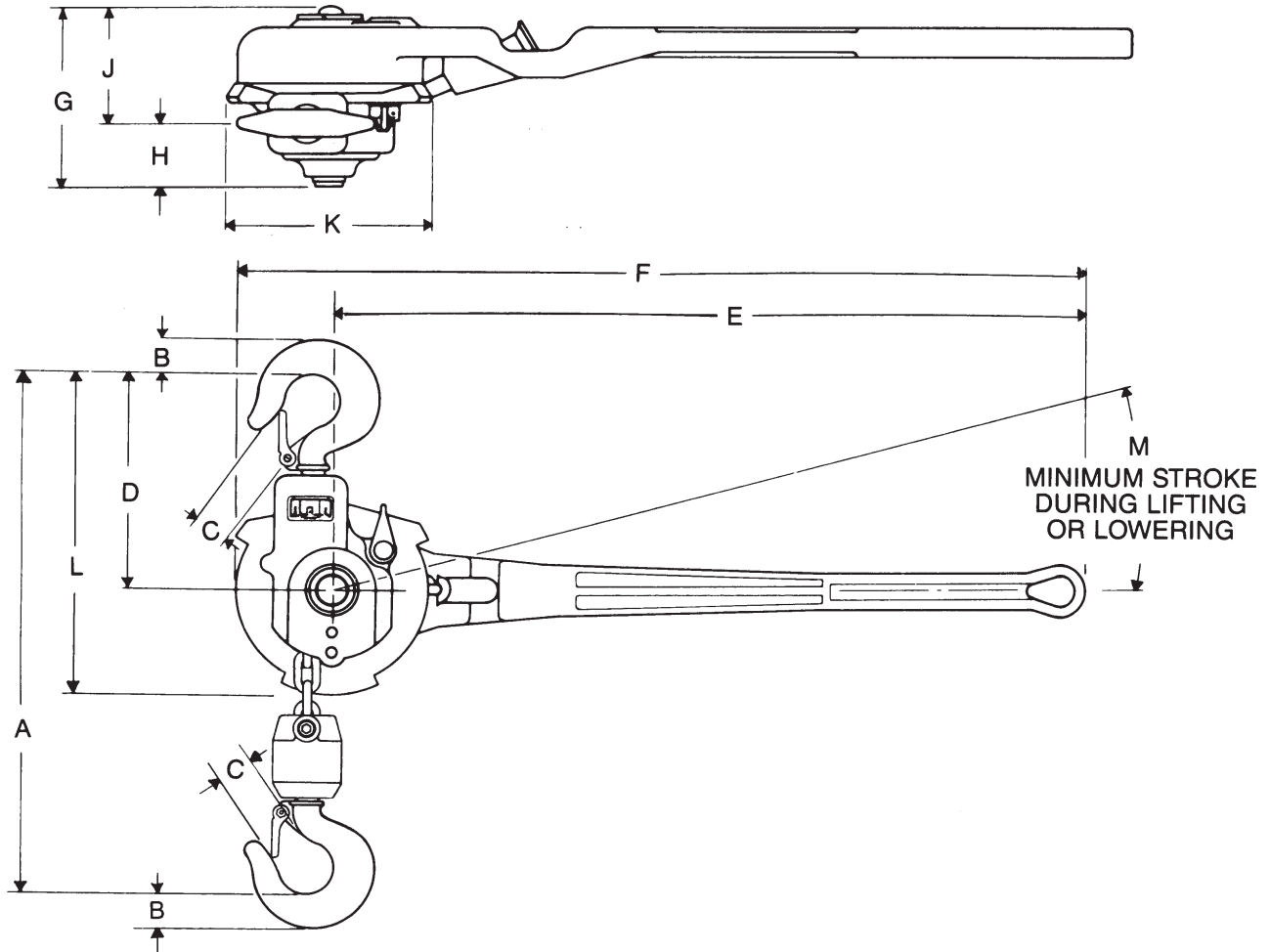


RA 3/4 - 6 Ton



Dimensions

Model Number	Rated Load		A	B	C*	D	E	F	G	H	J	K	L	M
	(Lbs.)	(Ton)												
RA-15	1500	3/4	12 ⁷ / ₁₆	1	1	6	20 ¹ / ₂	23	4 ⁵ / ₈	1 ⁵ / ₈	3	5 ¹ / ₄	9	36°
RA-20	2000	3/4	12 ⁷ / ₁₆	1	1	6	20 ¹ / ₂	23	4 ⁵ / ₈	1 ⁵ / ₈	3	5 ¹ / ₄	9	36°
RA-15-2	3000	1 ¹ / ₂	17 ¹ / ₄	1 ⁵ / ₁₆	1	7 ¹ / ₈	20 ¹ / ₂	23 ³ / ₄	4 ⁵ / ₈	1 ⁵ / ₈	3	5 ⁵ / ₈	10 ¹ / ₈	36°
RA-30	3000	1 ¹ / ₂	13 ³ / ₄	1 ¹ / ₈	1 ¹ / ₈	7 ¹ / ₄	20 ¹ / ₂	24 ³ / ₄	7	2 ⁷ / ₈	4 ¹ / ₈	6 ⁷ / ₈	10 ¹ / ₄	36°
RA-40	4000	1 ¹ / ₂	13 ³ / ₄	1 ¹ / ₈	1 ¹ / ₈	7 ¹ / ₄	20 ¹ / ₂	24 ³ / ₄	7	2 ⁷ / ₈	4 ¹ / ₈	6 ⁷ / ₈	10 ¹ / ₄	36°
RA-30-2	6000	2	17 ¹ / ₄	1 ¹ / ₄	1 ¹¹ / ₁₆	6 ⁷ / ₈	20 ¹ / ₂	24 ³ / ₄	7	2 ⁷ / ₈	4 ¹ / ₈	7 ¹ / ₄	9 ⁷ / ₈	36°
RA-30-3	9000	4 ¹ / ₂	22	1 ³ / ₈	1 ¹¹ / ₁₆	7 ¹ / ₂	20 ¹ / ₂	24 ³ / ₄	7	2 ⁷ / ₈	4 ¹ / ₈	8 ¹ / ₈	10 ¹ / ₂	36°
RA-30-4	12000	6	22	1 ³ / ₄	1 ¹¹ / ₁₆	8 ¹ / ₂	20 ¹ / ₂	24 ³ / ₄	7	2 ⁷ / ₈	4 ¹ / ₈	9 ³ / ₄	11 ¹ / ₂	36°

* Hook throat opening with latch.

Note: Where clearance dimensions are critical, request certified print.

All dimensions are in inches unless otherwise indicated.