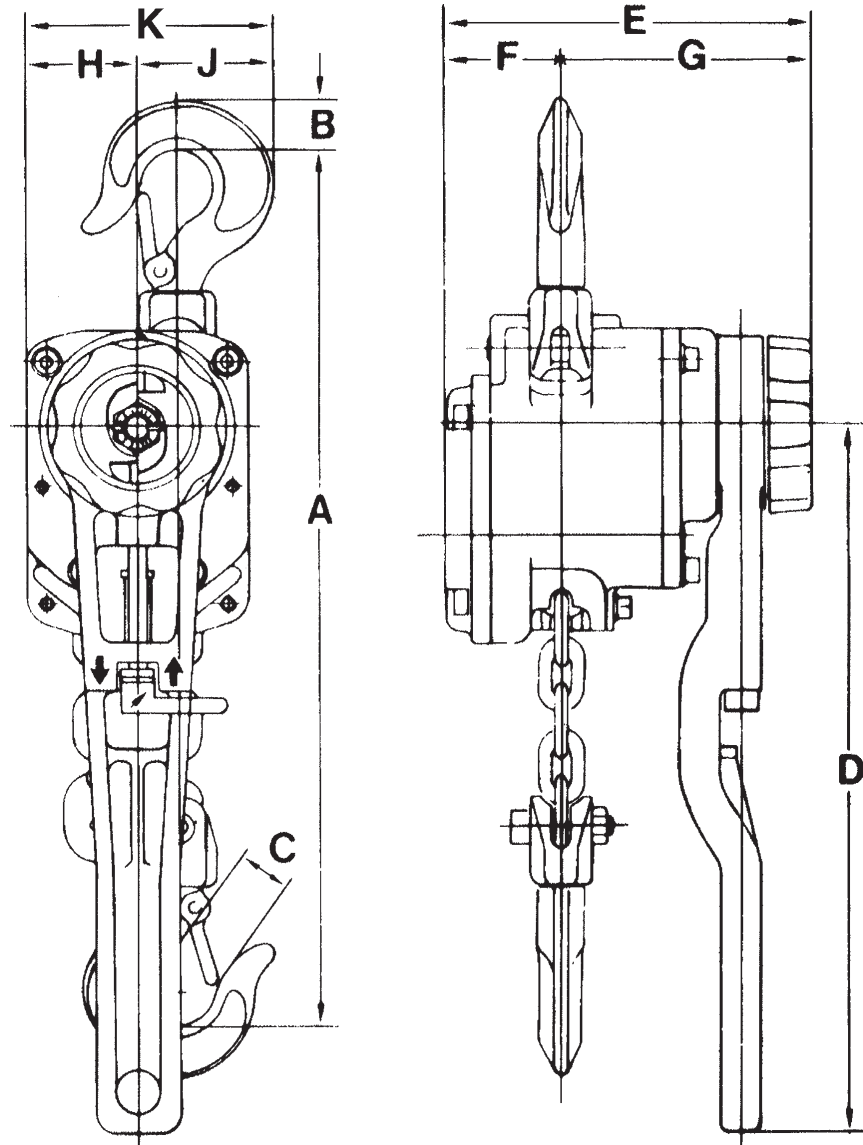


PA ³/₄ - 3 Ton



Dimensions

Model Number	Rated Load (Ton)	A	B	C	D	E	F	G	H	J	K
PA-1500	³ / ₄	12	¹³ / ₁₆	³ / ₄	12	6 ¹ / ₄	2	4 ¹ / ₄	1 ⁷ / ₈	2 ¹ / ₄	4 ¹ / ₈
PA-2000	1	13	1	1	12	6 ¹ / ₄	2	4 ¹ / ₄	1 ⁷ / ₈	2 ⁵ / ₈	4 ¹ / ₂
PA-3000	1 ¹ / ₂	14 ¹ / ₂	¹³ / ₁₆	1 ¹ / ₈	12	7	3	4 ¹ / ₄	2 ³ / ₈	3 ¹ / ₄	5 ⁵ / ₈
PA-6000	3	17 ¹ / ₂	¹³ / ₈	¹³ / ₈	16	8 ¹ / ₂	3 ³ / ₄	4 ¹ / ₄	3	3 ³ / ₄	6 ³ / ₄

All dimensions are in inches unless otherwise indicated.