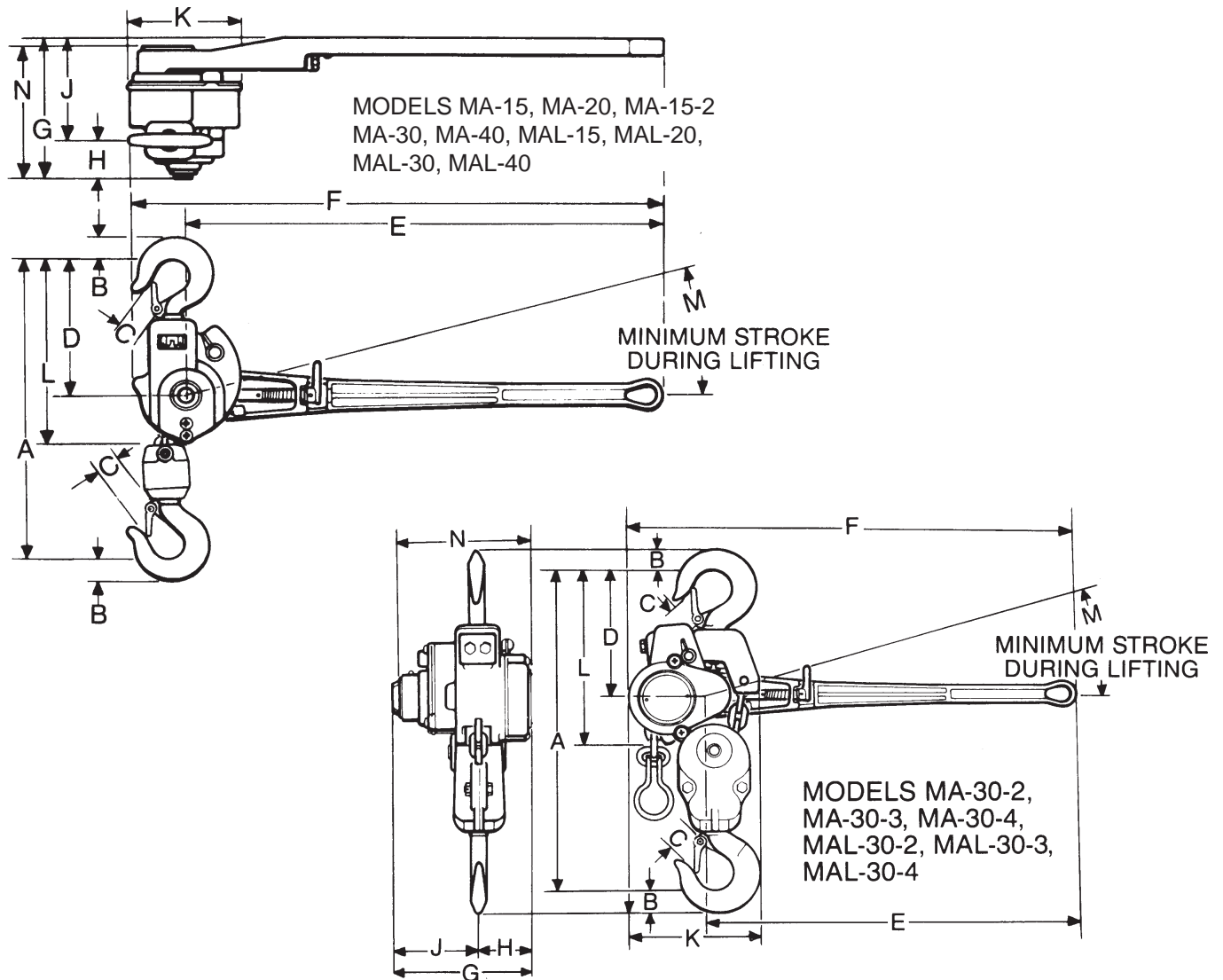


MA MAL 3/4 - 6 Ton



Dimensions

Model Number	Rated Load		A	B	C*	D	E	F	G	H	J	K	L	M	N
	(Lbs.)	(Ton)													
MA-15	1500	3/4	127/8	1	1	61/8	201/2	227/8	61/8	15/8	41/2	45/8	81/2	15°	57/8
MA-20	2000	3/4	127/8	1	1	61/8	201/2	227/8	61/8	15/8	41/2	45/8	81/2	15°	57/8
MA-15-2	3000	1 1/2	17	1	1	71/4	201/2	235/8	61/8	15/8	41/2	55/8	93/4	15°	57/8
MA-30	3000	1 1/2	15	1 1/8	1 1/8	73/8	201/2	243/4	71/2	27/8	45/8	61/4	97/8	15°	73/16
MA-40	4000	1 1/2	15	1 1/8	1 1/8	73/8	201/2	243/4	71/2	27/8	45/8	61/4	97/8	15°	73/16
MA-30-2	6000	2	183/4	17/16	111/16	77/16	201/2	243/4	71/2	27/8	45/8	71/4	103/16	15°	73/16
MA-30-3	9000	4 1/2	231/8	113/16	111/16	85/16	201/2	243/4	71/2	27/8	45/8	81/8	111/16	15°	73/16
MA-30-4	12000	6	22	113/16	111/16	81/2	201/2	243/4	71/2	27/8	45/8	93/4	11	15°	73/16
MAL-15	1500	3/4	127/8	1	1	61/8	201/2	227/8	7	15/8	53/8	45/8	81/2	15°	7
MAL-20	2000	3/4	127/8	1	1	61/8	201/2	227/8	7	15/8	53/8	45/8	81/2	15°	7
MAL-30	3000	1 1/2	15	1 1/8	1 1/8	73/8	201/2	243/4	83/8	27/8	51/2	61/4	97/8	15°	85/16
MAL-40	4000	1 1/2	15	1 1/8	1 1/8	73/8	201/2	243/4	83/8	27/8	51/2	61/4	97/8	15°	85/16
MAL-30-2	6000	2	183/4	17/16	111/16	77/16	201/2	243/4	83/8	27/8	51/2	71/4	103/16	15°	85/16
MAL-30-3	9000	4 1/2	231/8	113/16	111/16	85/16	201/2	243/4	83/8	27/8	51/2	81/8	111/16	15°	85/16
MAL-30-4	12000	6	22	113/16	111/16	81/2	201/2	243/4	83/8	27/8	51/2	93/4	11	15°	85/16

* Hook throat opening with latch.

Note: Where clearance dimensions are critical, request certified print.
All dimensions are in inches unless otherwise indicated.