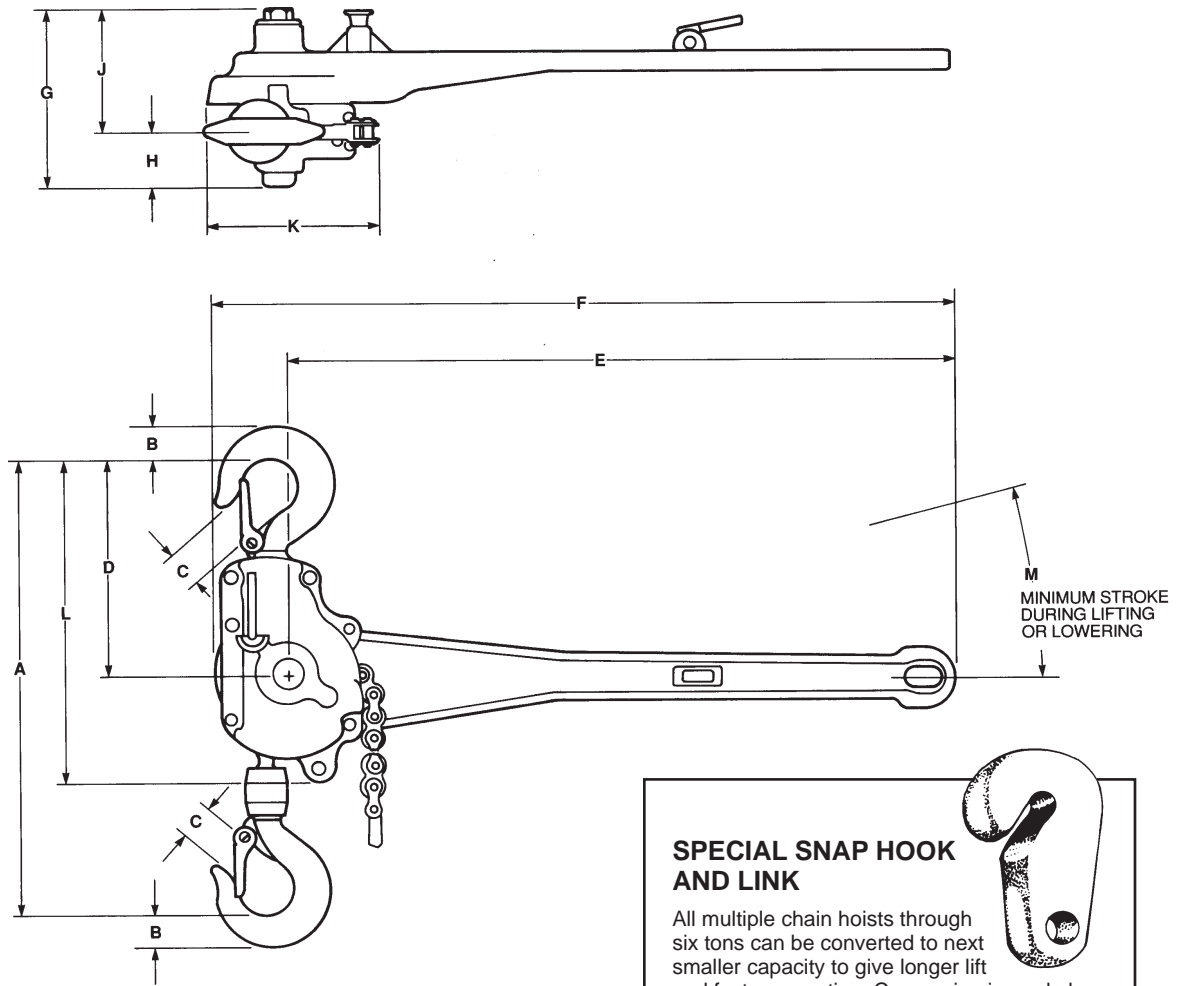


G Series ^{3/4} - 15 Ton



Dimensions

Model Number	A	B	C*	D	E	F	G	H	J	K	L	M
AG	13	1	1	6 ¹ / ₄	18 ³ / ₄	20 ³ / ₄	5	1 ¹ / ₂	3 ¹ / ₂	4 ¹ / ₂	9 ¹ / ₄	60°
AGI ¹	13	1	1	6 ¹ / ₄	18 ³ / ₄	20 ³ / ₄	5	1 ¹ / ₂	3 ¹ / ₂	4 ¹ / ₂	9 ¹ / ₄	30°
ATG ²	15	1	1	6 ¹ / ₄	18 ³ / ₄	20 ³ / ₄	5	1 ¹ / ₂	3 ¹ / ₂	4 ¹ / ₂	9 ¹ / ₄	60°
ATGI ^{1, 2}	15	1	1	6 ¹ / ₄	18 ³ / ₄	20 ³ / ₄	5	1 ¹ / ₂	3 ¹ / ₂	4 ¹ / ₂	9 ¹ / ₄	30°
FG	16	1 ¹ / ₈	1 ¹ / ₈	7	27 ⁵ / ₈	29 ⁷ / ₈	6 ¹ / ₄	1 ³ / ₄	4 ¹ / ₂	5 ³ / ₄	10 ¹ / ₄	60°
FGI ¹	16	1 ¹ / ₈	1 ¹ / ₈	7	27 ⁵ / ₈	29 ⁷ / ₈	6 ¹ / ₄	1 ³ / ₄	4 ¹ / ₂	5 ³ / ₄	10 ¹ / ₄	30°
FTG ³	17 ⁵ / ₈	1 ¹ / ₈	1 ¹ / ₈	7 ³ / ₈	27 ⁵ / ₈	29 ⁷ / ₈	6 ¹ / ₄	1 ³ / ₄	4 ¹ / ₂	5 ³ / ₄	10 ⁵ / ₈	60°
FTGI ^{1, 3}	17 ⁵ / ₈	1 ¹ / ₈	1 ¹ / ₈	7 ³ / ₈	27 ⁵ / ₈	29 ⁷ / ₈	6 ¹ / ₄	1 ³ / ₄	4 ¹ / ₂	5 ³ / ₄	10 ⁵ / ₈	30°
ZG-4 ¹ / ₂ ⁴ , ZG-6 ⁵	25	1 ¹³ / ₁₆	1 ¹¹ / ₁₆	8 ¹ / ₄	33 ⁵ / ₈	36 ¹ / ₈	6 ¹ / ₈	1 ¹¹ / ₁₆	4 ⁷ / ₁₆	6 ¹ / ₈	12 ⁷ / ₈	60°
WG-9, WG-13 WG-11, WG-15	30	2 ¹ / ₈	1 ⁵ / ₈	9 ¹ / ₈	33 ⁵ / ₈	41 ³ / ₈	6 ³ / ₈	1 ³ / ₄	4 ⁵ / ₈	13 ¹ / ₂	14 ⁵ / ₈	60°

¹Double Pawls — can be operated with half strokes of lever for use in close quarters.

²Convertible model — 1 chain ³/₄ ton, 112" lift. 2 chains 1¹/₂ tons, 57" lift.

³Convertible model — 1 chain 1¹/₂ tons, 112" lift. 2 chains 3 tons, 57" lift.

⁴Convertible model — 2 chain 3 tons, 76" lift. 3 chains 4¹/₂ tons, 51" lift.

⁵Convertible model — 3 chain 4¹/₂ tons, 70" lift. 4 chains 6 tons, 53" lift.

All dimensions are in inches unless otherwise indicated.

**Minimum stroke on double locking pawl models (AGI, ATGI, FGI, FTGI) one-half (30°) that of single locking pawl models (AG, ATG, FG, FTG). Where clearance dimensions are critical, request certified print.