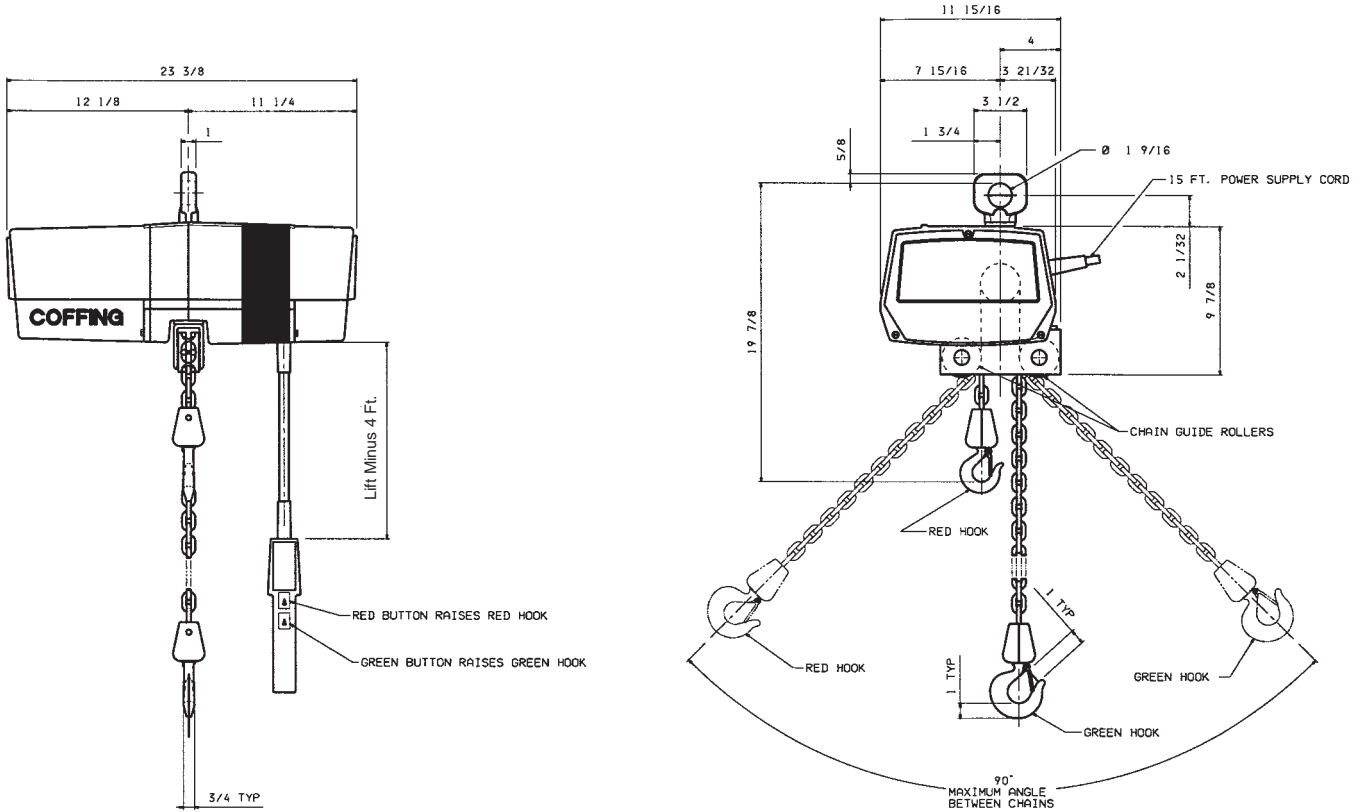
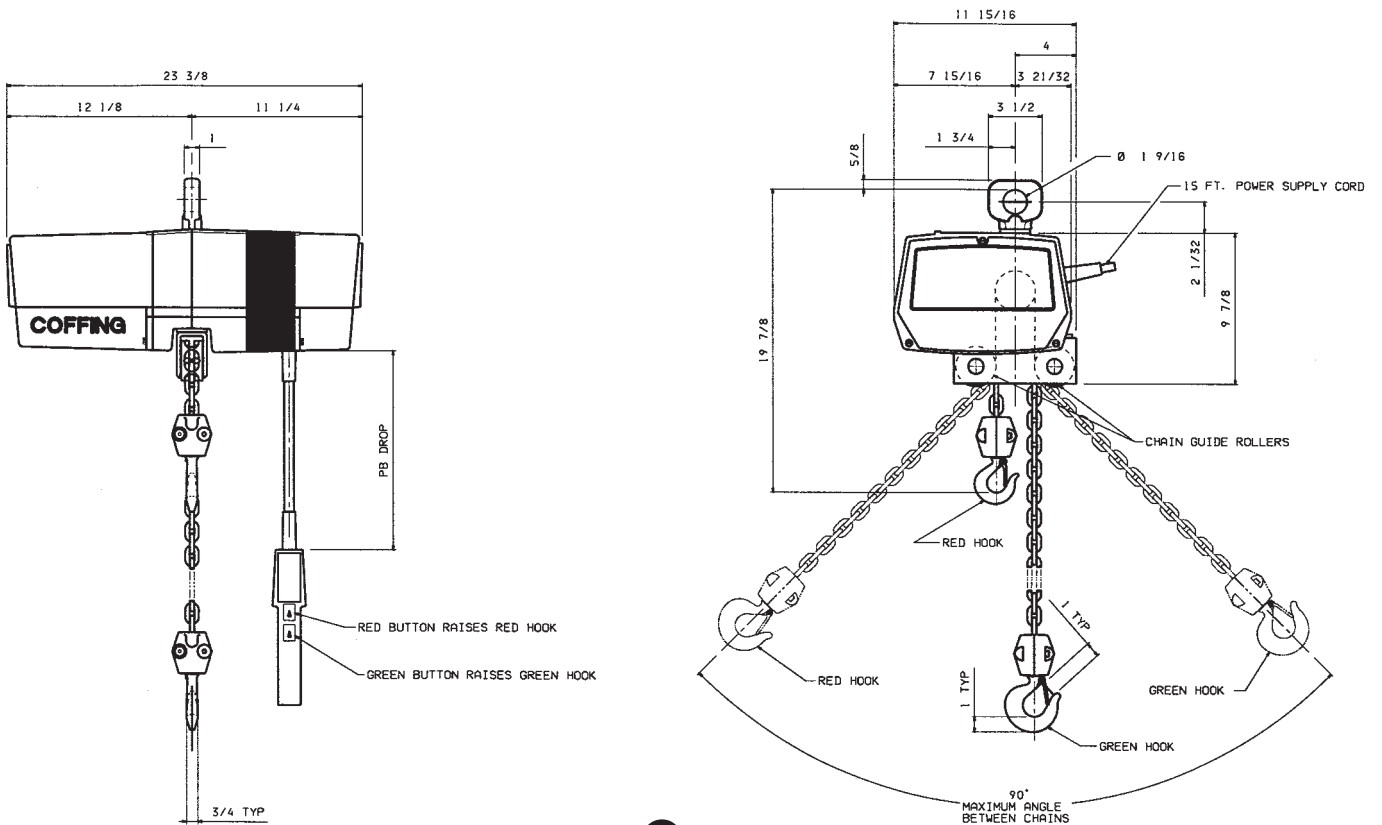


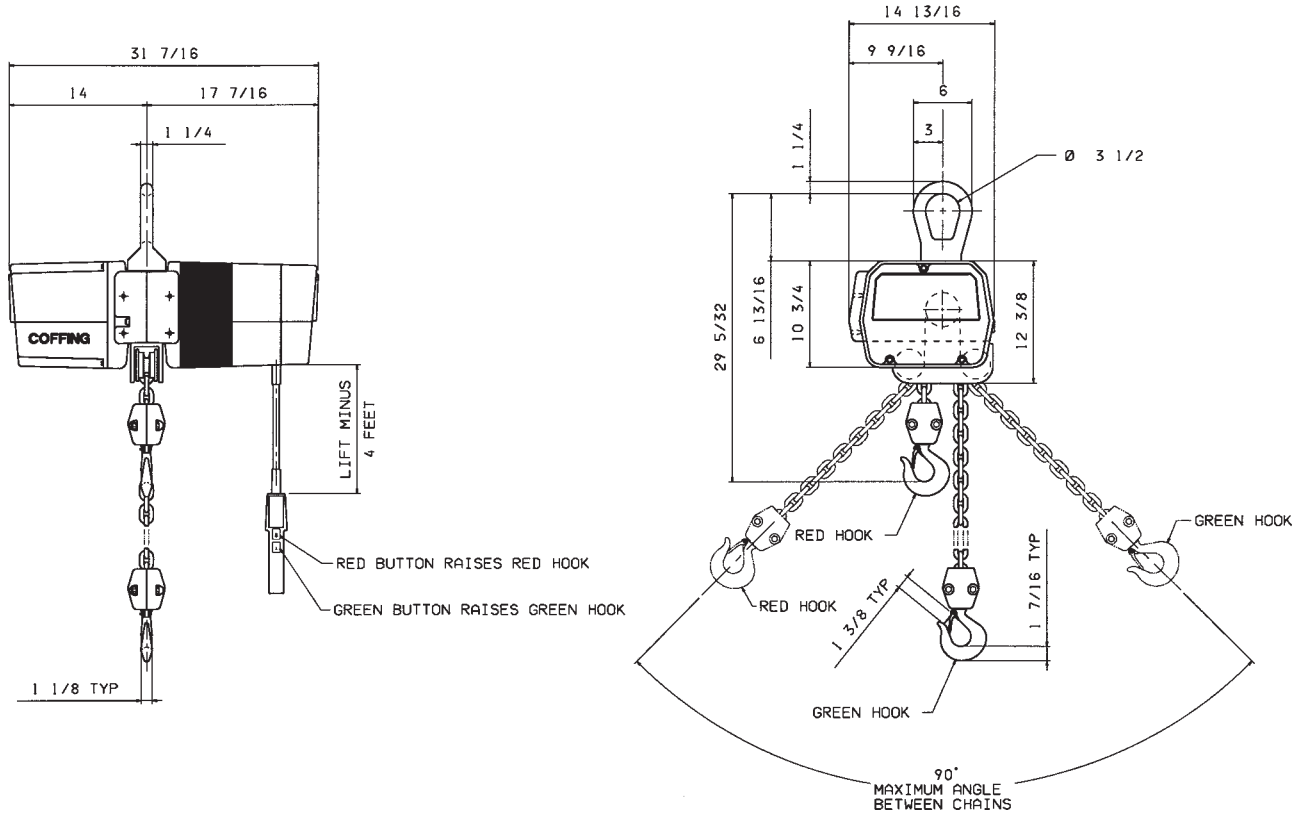
EC-1 (Turnover Hoist) EC-0516TH (1/4 Ton), EC-1016TH (1/2 Ton) Single Chain



EC-1 (Turnover Hoist) EC-2016TH (1 Ton) Single Chain



EC-3 (Turnover Hoist) EC-4016TH (2 Ton) Single Chain



EC-3 (Turnover Hoist) EC-6008TH (3 Ton), EC-8008TH (4 Ton) Double Chain

