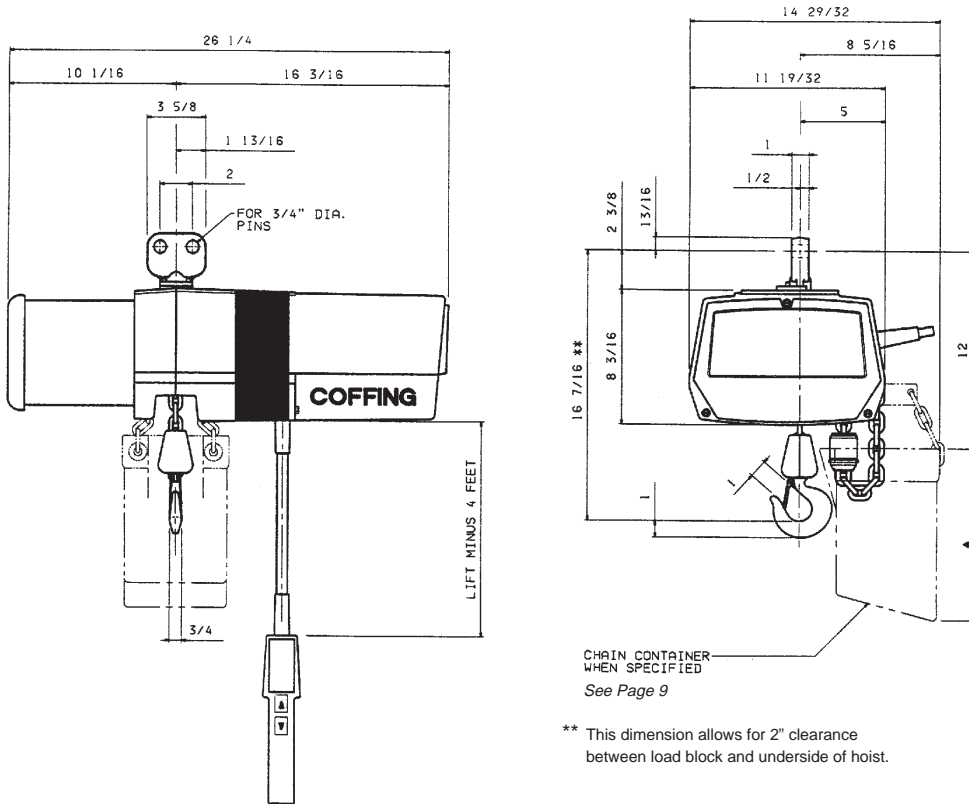
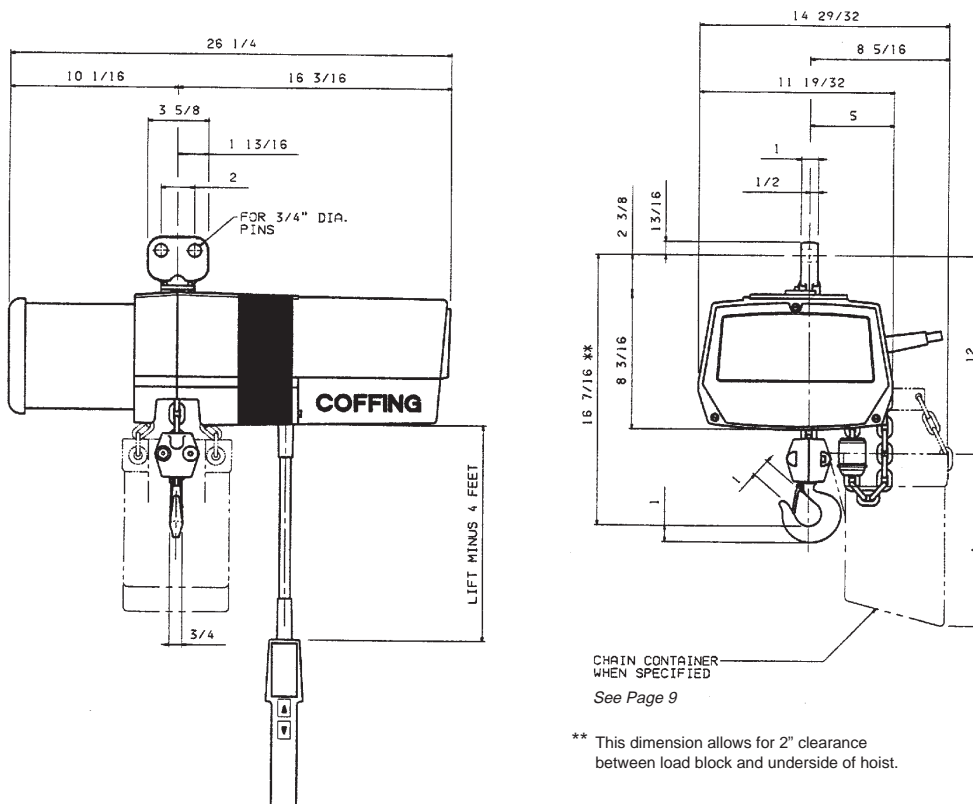


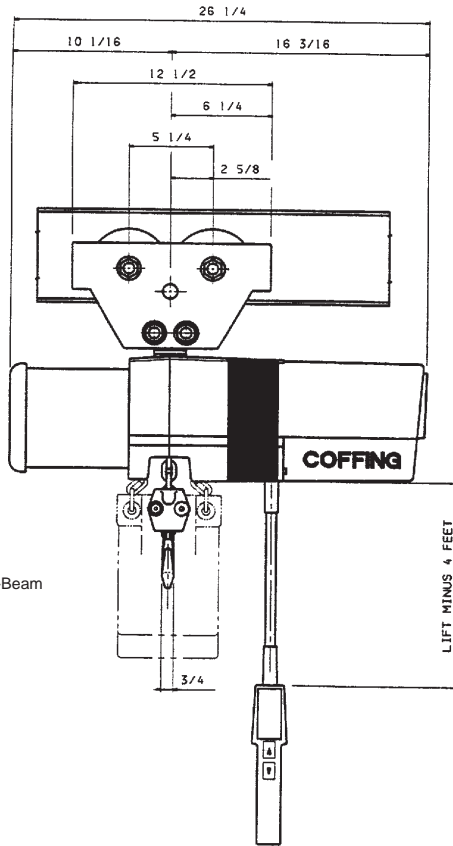
ED-1 (Lug Mount 50JG12) ED-0564 and ED-1032 (1/4 to 1/2 Ton) Single Chain



ED-1 (Lug Mount 50JG12) ED-2016 (1 Ton) Single Chain

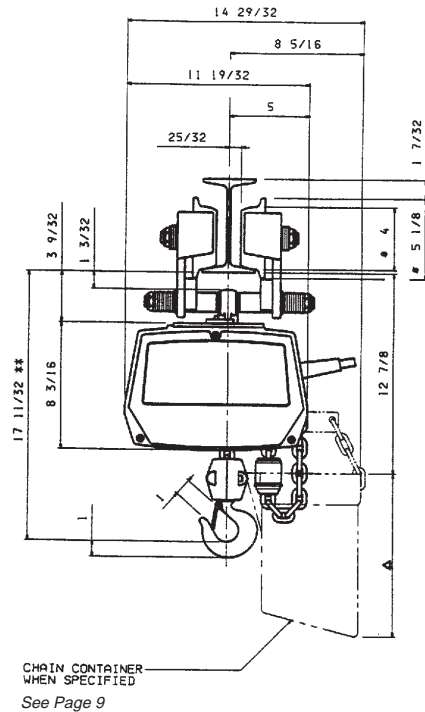


ED-1 (Plain Trolley) EDT-2016 (1 Ton) Single Chain (Parallel Mounted)



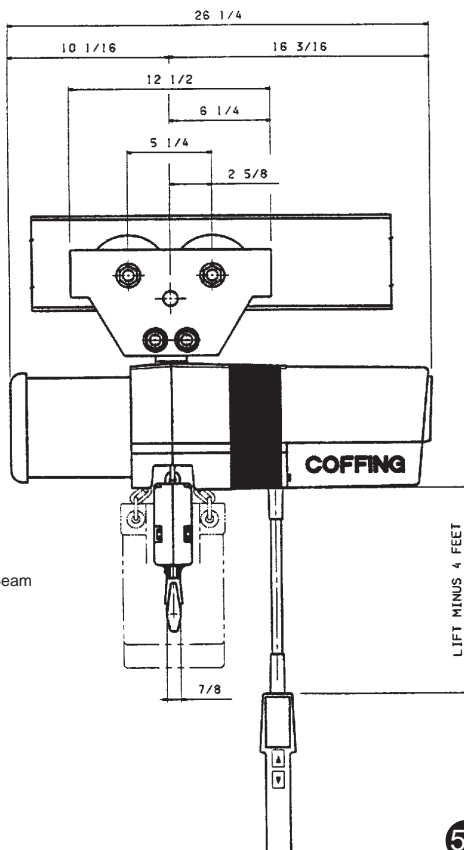
4 Ft. Minimum Radius

All dimensions are based on a
6" x 12.5# American Standard I-Beam



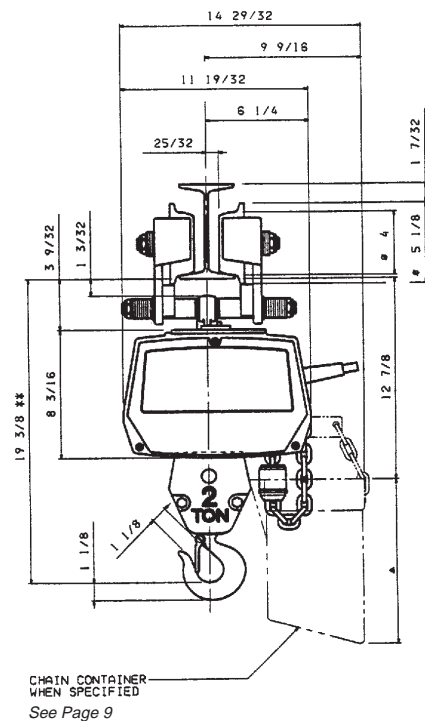
** This dimension allows for 2" clearance
between load block and underside of hoist.

ED-1 (Plain Trolley) EDT-4008 (2 Ton) Double Chain (Parallel Mounted)



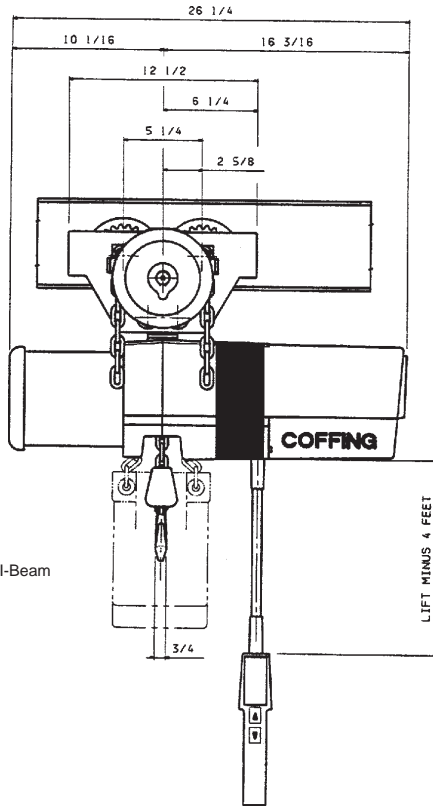
4 Ft. Minimum Radius

All dimensions are based on a
6" x 12.5# American Standard I-Beam



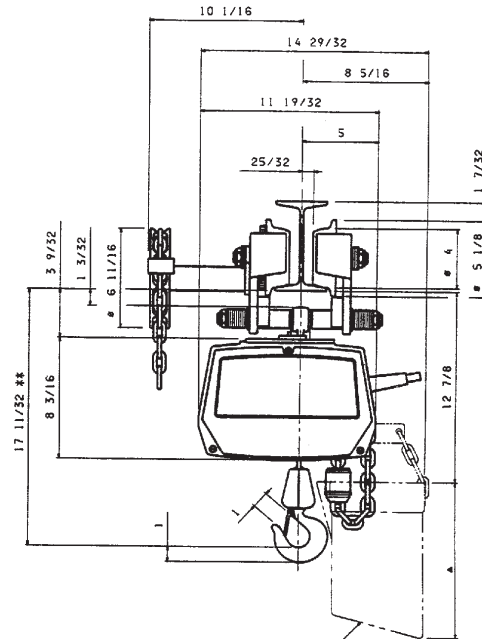
** This dimension allows for 1" clearance
between load block and underside of hoist.

ED-1 (Geared Trolley) EDGT-0564 and EDGT- 1032 (1/4 to 1/2 Ton) Single Chain (Parallel Mounted)



4 Ft. Minimum Radius

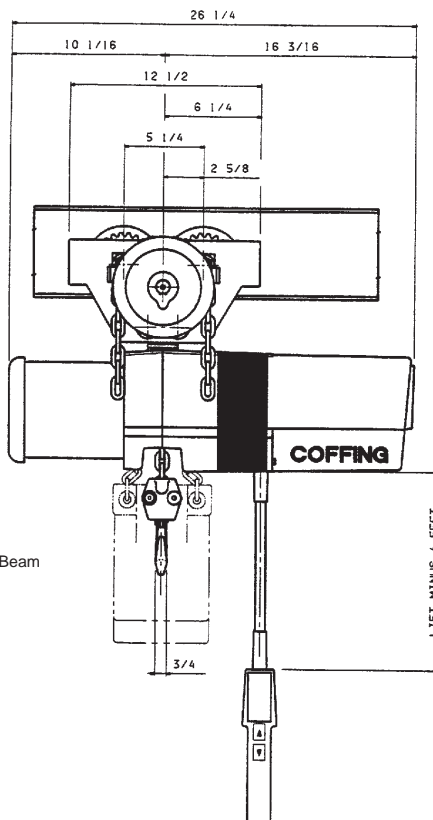
All dimensions are based on a
6" x 12.5# American Standard I-Beam



CHAIN CONTAINER
WHEN SPECIFIED
See Page 9

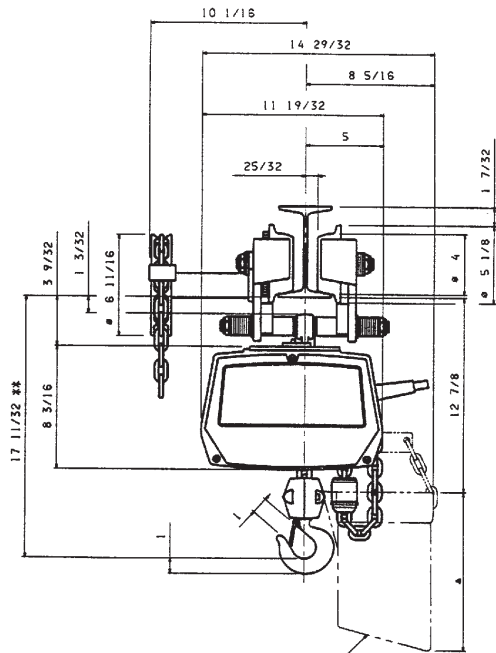
** This dimension allows for 2" clearance
between load block and underside of hoist.

ED-1 (Geared Trolley) EDGT-2016 (1 Ton) Single Chain (Parallel Mounted)



4 Ft. Minimum Radius

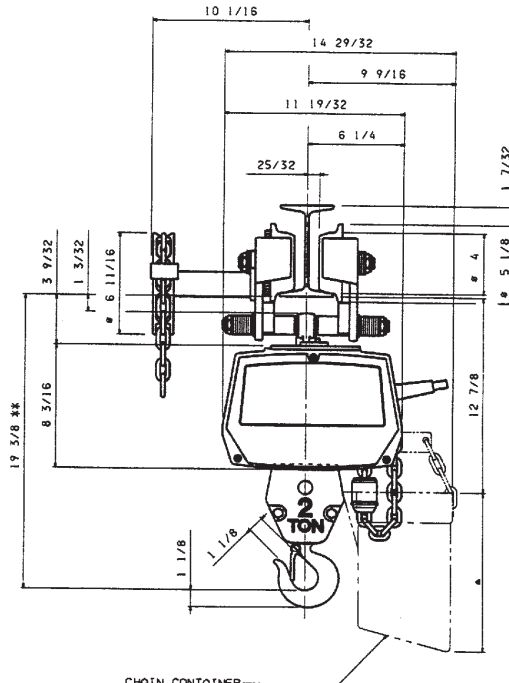
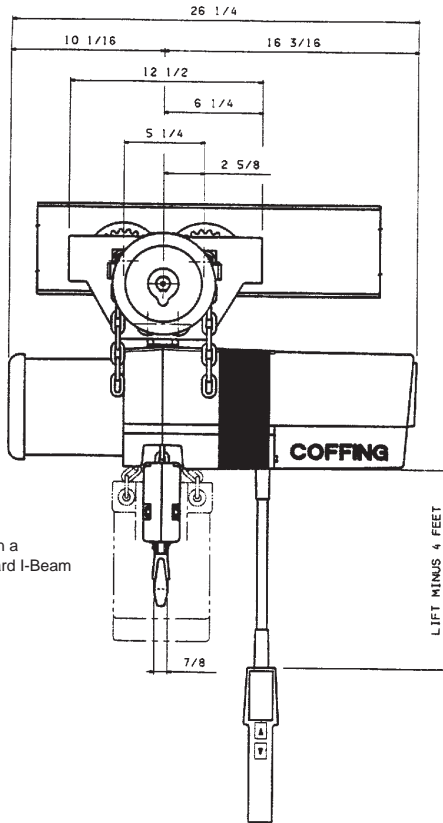
All dimensions are based on a
6" x 12.5# American Standard I-Beam



CHAIN CONTAINER
WHEN SPECIFIED
See Page 9

** This dimension allows for 2" clearance
between load block and underside of hoist.

ED-1 (Geared Trolley) EDGT-4008 (2 Ton) Double Chain (Parallel Mounted)

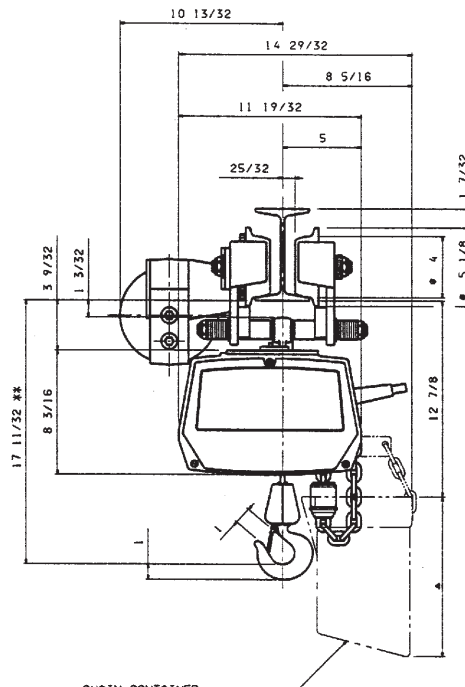
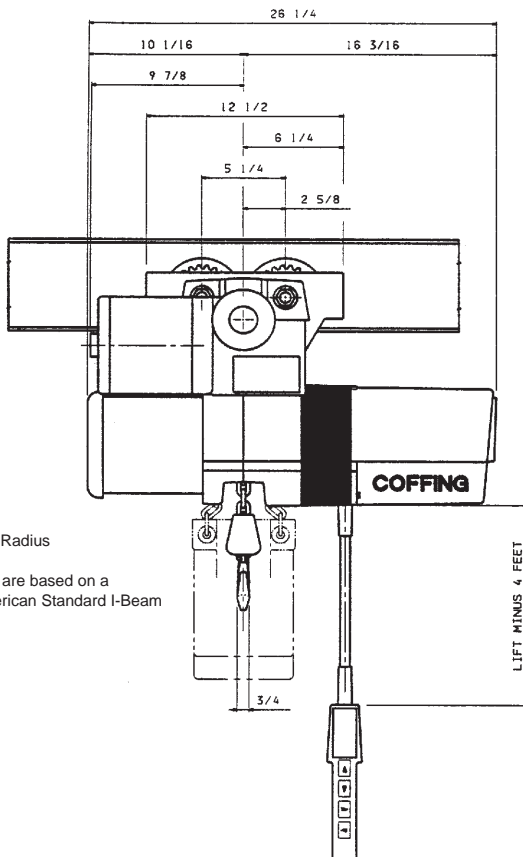


4 Ft. Minimum Radius
All dimensions are based on a
6" x 12.5# American Standard I-Beam

CHAIN CONTAINER
WHEN SPECIFIED
See Page 9

** This dimension allows for 1" clearance
between load block and underside of hoist.

ED-1 (Motorized Trolley) EDMT-0564 and EDMT-1032 (1/4 to 1/2 Ton) Single Chain (Parallel Mounted)

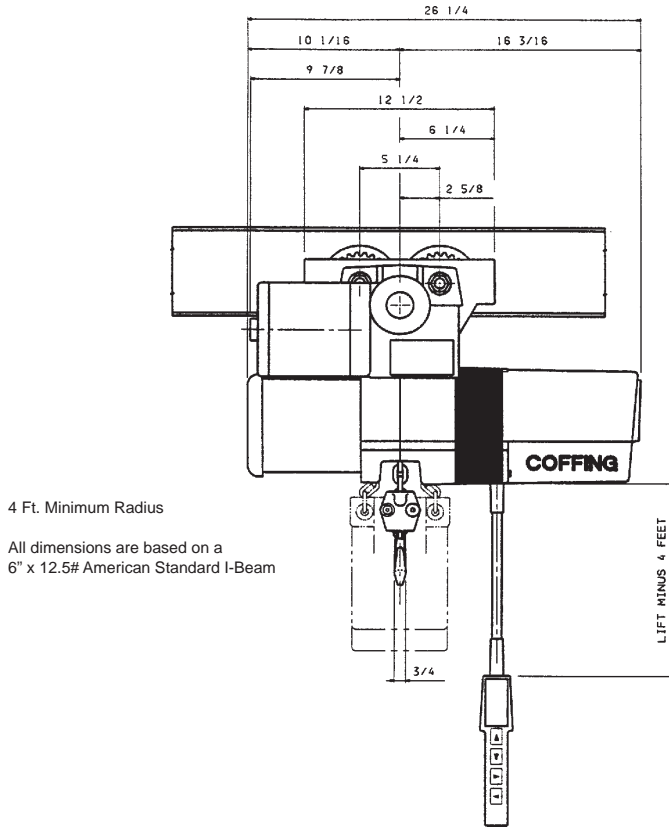


4 Ft. Minimum Radius
All dimensions are based on a
6" x 12.5# American Standard I-Beam

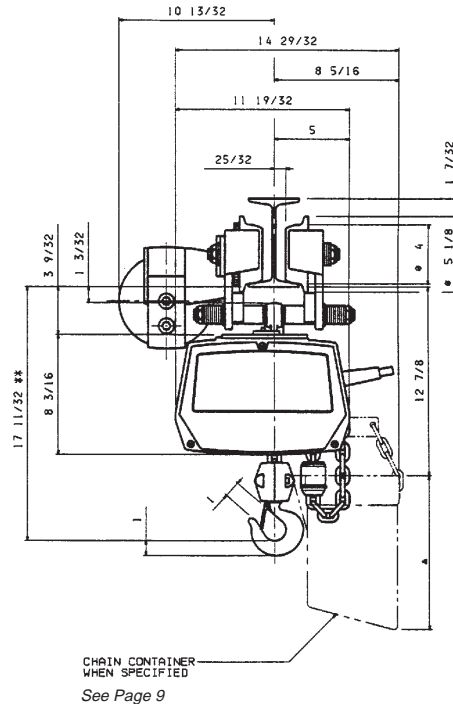
CHAIN CONTAINER
WHEN SPECIFIED
See Page 9

** This dimension allows for 2" clearance
between load block and underside of hoist.

ED-1 (Geared Trolley) EDMT-2016 (1 Ton) Single Chain (Parallel Mounted)

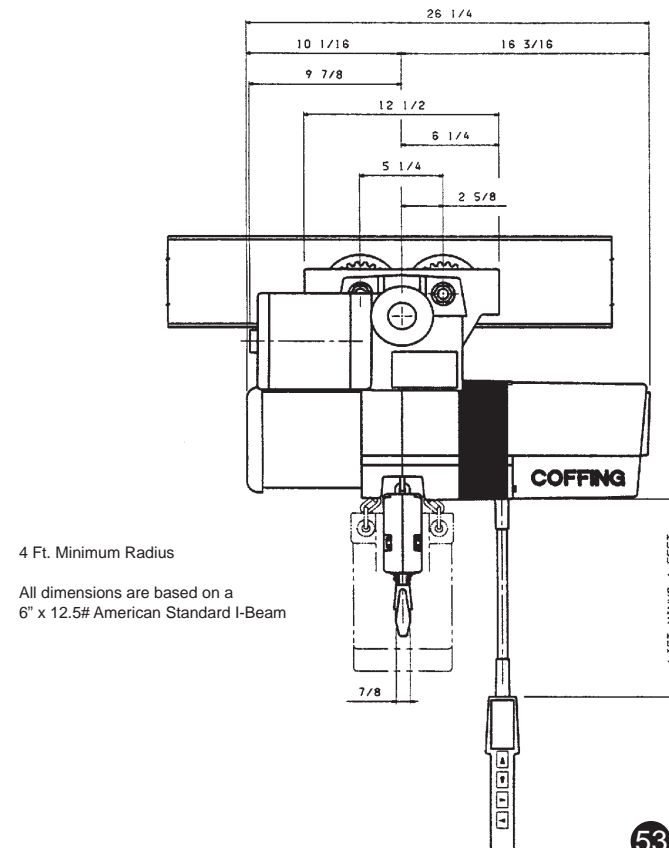


4 Ft. Minimum Radius
All dimensions are based on a
6" x 12.5# American Standard I-Beam

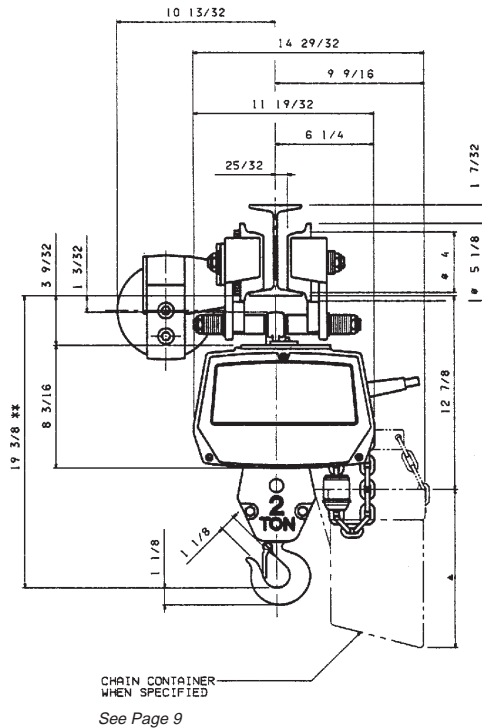


CHAIN CONTAINER
WHEN SPECIFIED
See Page 9
** This dimension allows for 2" clearance
between load block and underside of hoist.

ED-1 (Motorized Trolley) EDMT-4008 (2 Ton) Double Chain (Parallel Mounted)



4 Ft. Minimum Radius
All dimensions are based on a
6" x 12.5# American Standard I-Beam



CHAIN CONTAINER
WHEN SPECIFIED
See Page 9
** This dimension allows for 1" clearance
between load block and underside of hoist.