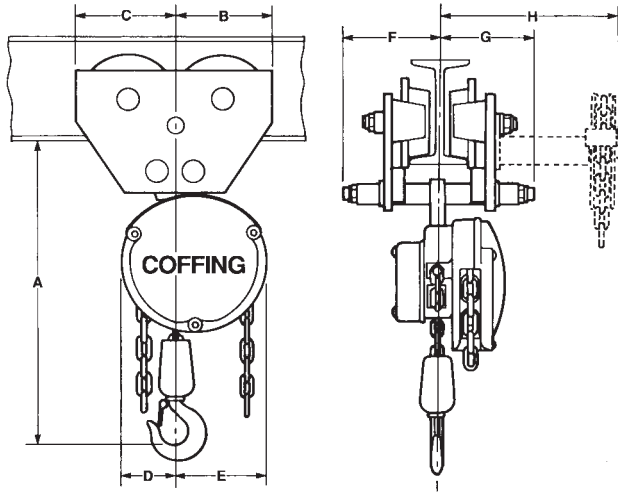
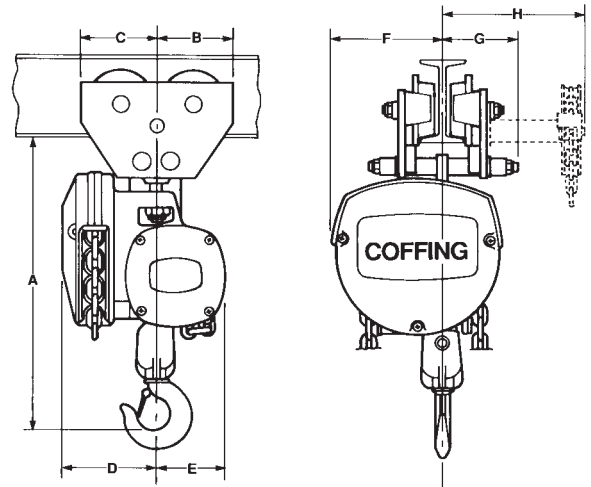


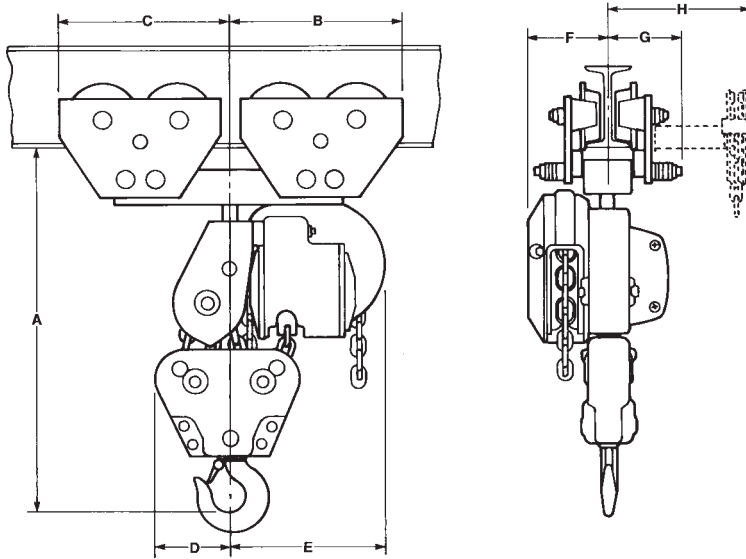
CTH Trolley Mounted Suspension



CTH-1/2 TON



CTH-1 TON TO 3 TONS



CTH-4 TON TO 6 TONS (Straight Track Only)

All dimensions are based on 6" x 12.5# American Standard I-Beam for 1/2 thru 3 Ton models.

All dimensions are based on 8" x 18.4# American Standard I-Beam for 4 thru 6 Ton models.

4-Ft. Minimum Radius on 1/2 thru 3 Ton models.

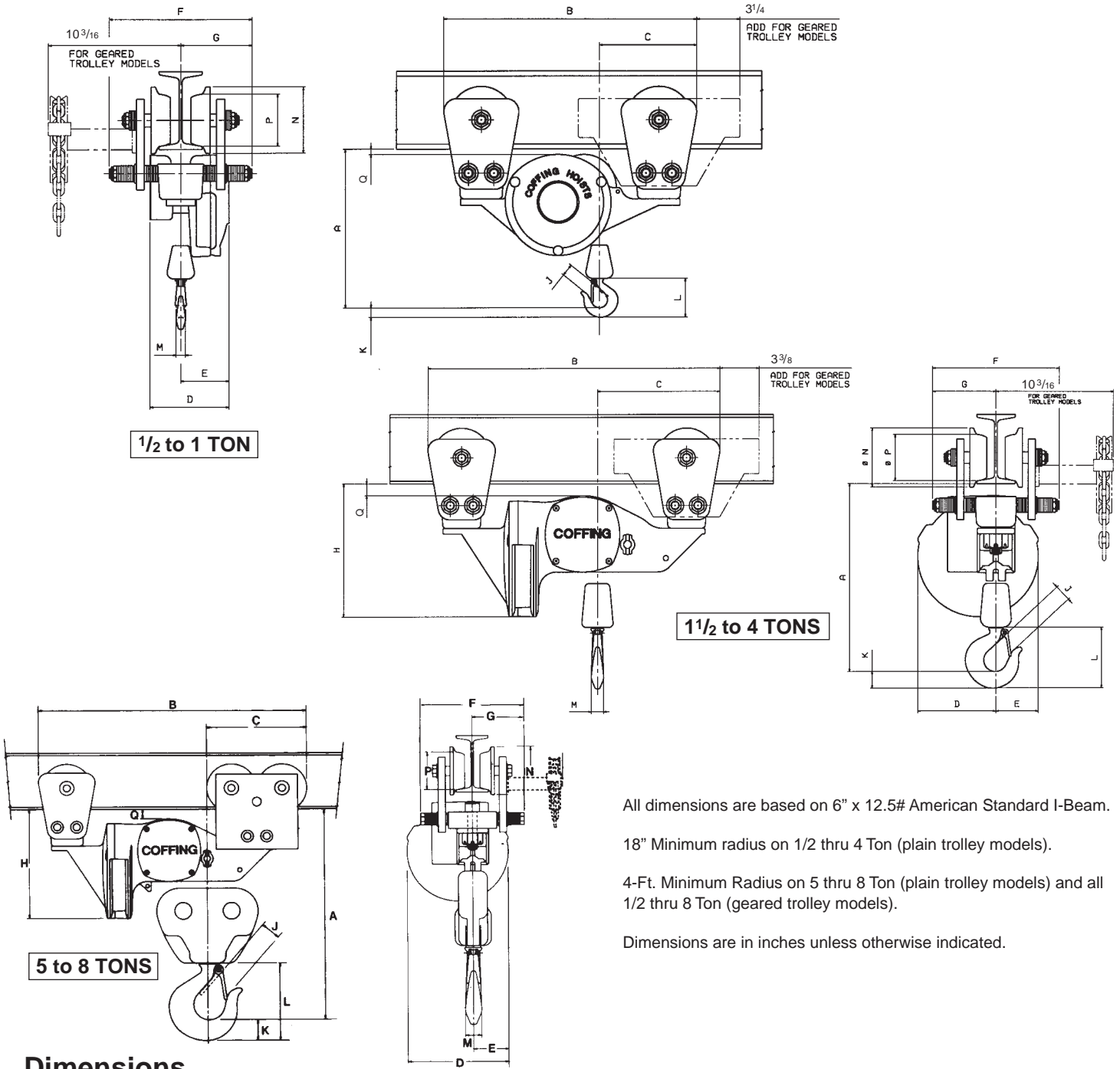
Dimensions are in inches unless otherwise indicated.

Dimensions

Model Number	A	B	C	D	E	F	G	H
CTH1/2	14	6 ¹ / ₄	6 ¹ / ₄	2 ⁷ / ₈	5 ¹ / ₄	5 ³ / ₈	5 ³ / ₈	7 ⁷ / ₈
CTH1	14 ³ / ₈	6 ¹ / ₄	6 ¹ / ₄	5 ¹ / ₈	3 ⁷ / ₈	5 ³ / ₈	5 ³ / ₈	7 ⁷ / ₈
CTH1 ¹ / ₂ & 2	18 ³ / ₄	6 ¹ / ₄	6 ¹ / ₄	6	4 ⁵ / ₈	6 ¹⁵ / ₁₆	5 ³ / ₈	7 ⁷ / ₈
CTH3	20	6 ³ / ₈	6 ³ / ₈	6 ¹ / ₂	5 ¹ / ₂	7 ¹ / ₄	5 ³ / ₈	7 ⁷ / ₈
CTH4	27 ¹ / ₁₆	12 ³ / ₄	12 ³ / ₄	3	10 ¹ / ₁₆	6	5 ³ / ₈	8 ¹ / ₄
CTH5 & 6	27 ³ / ₄	12 ⁷ / ₈	12 ⁷ / ₈	4 ³ / ₈	10 ⁵ / ₈	6	5 ³ / ₈	8 ¹ / ₄

Note: Where clearance dimensions are critical, request certified prints.

AT 1/2 to 8 Ton



All dimensions are based on 6" x 12.5# American Standard I-Beam.

18" Minimum radius on 1/2 thru 4 Ton (plain trolley models).

4-Ft. Minimum Radius on 5 thru 8 Ton (plain trolley models) and all 1/2 thru 8 Ton (geared trolley models).

Dimensions are in inches unless otherwise indicated.

Dimensions

Model No.	A		C	D	E	F	G	H	J	K	L	M	N	P	Q
	B	C													
AT1/2	10 ³ / ₁₆	19 ¹¹ / ₁₆	7 ¹⁷ / ₃₂	6 ¹ / ₈	3 ³ / ₄	10 ³ / ₄	5 ³ / ₈	8 ¹ / ₄	1	1	3 ¹¹ / ₁₆	3 ⁴ / ₈	5 ¹ / ₈	4	1 ³ / ₃₂
AT1	11	19 ¹¹ / ₁₆	6 ²⁷ / ₃₂	6 ¹ / ₈	3 ³ / ₄	10 ³ / ₄	5 ³ / ₈	8 ¹ / ₄	1	1	3 ¹¹ / ₁₆	3 ⁴ / ₈	5 ¹ / ₈	4	1 ³ / ₃₂
AT1 1/2	14 ⁵ / ₈	25 ⁹ / ₁₆	10 ³ / ₄	10 ¹ / ₂	3 ¹¹ / ₁₆	10 ³ / ₄	5 ³ / ₈	11 ⁹ / ₁₆	1 ¹¹ / ₃₂	1 ⁷ / ₁₆	5 ⁷ / ₃₂	1 ¹ / ₈	5 ¹ / ₈	4	1
AT2	14 ⁵ / ₈	25 ⁹ / ₁₆	10 ³ / ₄	10 ¹ / ₂	3 ¹¹ / ₁₆	10 ³ / ₄	5 ³ / ₈	11 ⁹ / ₁₆	1 ¹¹ / ₃₂	1 ⁷ / ₁₆	5 ⁷ / ₃₂	1 ¹ / ₈	5 ¹ / ₈	4	1
AT3	19 ¹ / ₈	25 ⁹ / ₁₆	7 ⁷ / ₈	10 ¹ / ₂	3 ¹¹ / ₁₆	10 ³ / ₄	5 ³ / ₈	11 ⁹ / ₁₆	1 ¹¹ / ₁₆	1 ¹³ / ₁₆	6 ⁹ / ₁₆	1 ³ / ₈	5 ¹ / ₈	4	1
AT4	19 ¹ / ₈	25 ⁹ / ₁₆	7 ⁷ / ₈	10 ¹ / ₂	3 ¹¹ / ₁₆	10 ³ / ₄	5 ³ / ₈	11 ⁹ / ₁₆	1 ¹¹ / ₁₆	1 ¹³ / ₁₆	6 ⁹ / ₁₆	1 ³ / ₈	5 ¹ / ₈	4	1
AT5	21 ⁵ / ₁₆	28 ¹ / ₄	11 ²⁵ / ₃₂	10 ¹ / ₂	3 ¹¹ / ₁₆	10 ³ / ₄	5 ³ / ₈	11 ⁹ / ₁₆	1 ¹¹ / ₁₆	1 ¹³ / ₁₆	6 ⁹ / ₁₆	1 ³ / ₈	5 ¹ / ₈	4	1
AT6	21 ⁵ / ₁₆	28 ¹ / ₄	11 ²⁵ / ₃₂	10 ¹ / ₂	3 ¹¹ / ₁₆	10 ³ / ₄	5 ³ / ₈	11 ⁹ / ₁₆	1 ¹¹ / ₁₆	1 ¹³ / ₁₆	6 ⁹ / ₁₆	1 ³ / ₈	5 ¹ / ₈	4	1
AT8	20 ³ / ₄	27 ¹³ / ₁₆	10 ³ / ₈	10 ¹ / ₂	3 ¹¹ / ₁₆	10 ³ / ₄	5 ³ / ₈	11 ⁹ / ₁₆	2 ¹ / ₁₆	2 ¹ / ₄	8 ¹ / ₈	1 ⁵ / ₈	5 ¹ / ₈	4	1

Note: Where clearance dimensions are critical, request certified prints. **71**