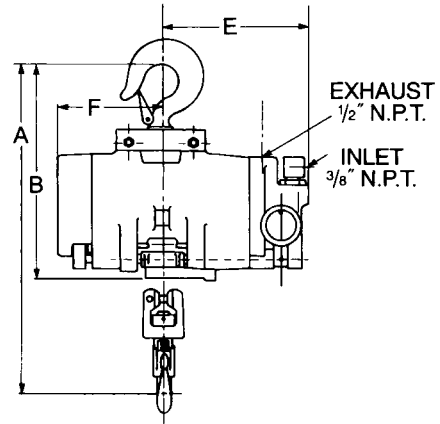
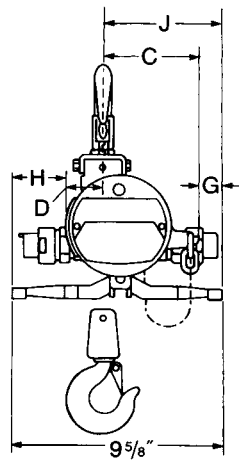
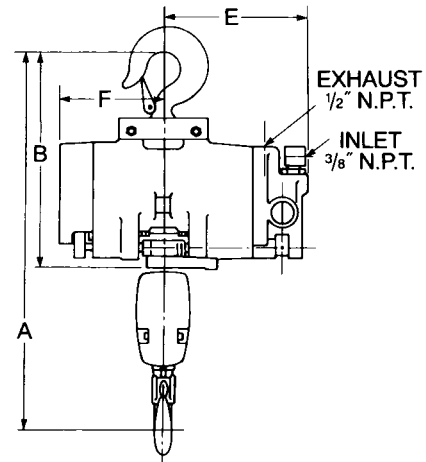
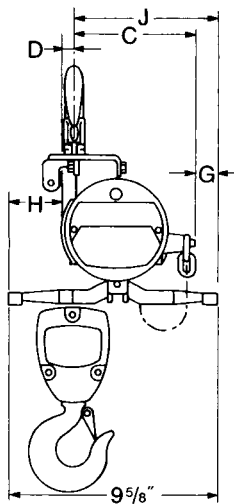


**CAH Small Frame (Hook Mount) 1/4 - 1 Ton**

1/4 and 1/2 Ton - Standard  
3/8 Ton - Spark Resistant



1 Ton - Standard  
3/4 Ton - Spark Resistant



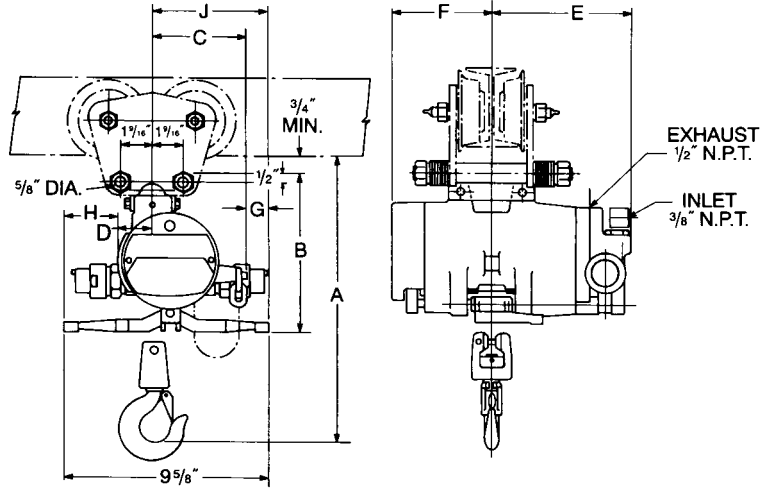
**Dimensions**

Model Number	Rated Load (Ton)	A	B	C	D	E	F	G	H	J
CAH-0565-LC	1/4	15 1/4	10 1/4	4 3/4	1 3/4	7 1/16	5 1/16	15/16	2 3/16	5 11/16
CAH-0565-LP	1/4	15 1/4	10 1/4	4 3/4	1 3/4	7 1/16	5 1/16	15/16	2 3/16	5 11/16
CAH-0565-RC	1/4	15 1/4	10 1/4	4 3/4	1 3/4	7 1/16	5 1/16	15/16	2 3/16	5 11/16
CAH-0565-RP	1/4	15 1/4	10 1/4	4 3/4	1 3/4	7 1/16	5 1/16	15/16	2 3/16	5 11/16
CAH-1045-LC	1/2	15 1/4	10 1/4	4 3/4	1 3/4	7 1/16	5 1/16	15/16	2 3/16	5 11/16
CAH-1045-LP	1/2	15 1/4	10 1/4	4 3/4	1 3/4	7 1/16	5 1/16	15/16	2 3/16	5 11/16
CAH-1045-RC	1/2	15 1/4	10 1/4	4 3/4	1 3/4	7 1/16	5 1/16	15/16	2 3/16	5 11/16
CAH-1045-RP	1/2	15 1/4	10 1/4	4 3/4	1 3/4	7 1/16	5 1/16	15/16	2 3/16	5 11/16
CAH-2023-LC	1	18	10 1/4	5 3/4	3/4	7 1/16	5 1/16	15/16	2 3/16	6 11/16
CAH-2023-LP	1	18	10 1/4	5 3/4	3/4	7 1/16	5 1/16	15/16	2 3/16	6 11/16
CAH-2023-RC	1	18	10 1/4	5 3/4	3/4	7 1/16	5 1/16	15/16	2 3/16	6 11/16
CAH-2023-RP	1	18	10 1/4	5 3/4	3/4	7 1/16	5 1/16	15/16	2 3/16	6 11/16
<b>Spark Resistant Models</b>										
CAH-0760-CS	3/8	15 1/4	10 1/4	4 3/4	1 3/4	7 1/16	5 1/16	15/16	2 3/16	5 11/16
CAH-0760-PS	3/8	15 1/4	10 1/4	4 3/4	1 3/4	7 1/16	5 1/16	15/16	2 3/16	5 11/16
CAH-1529-CS	3/4	18	10 1/4	5 3/4	3/4	7 1/16	5 1/16	15/16	2 3/16	6 11/16
CAH-1529-PS	3/4	18	10 1/4	5 3/4	3/4	7 1/16	5 1/16	15/16	2 3/16	6 11/16

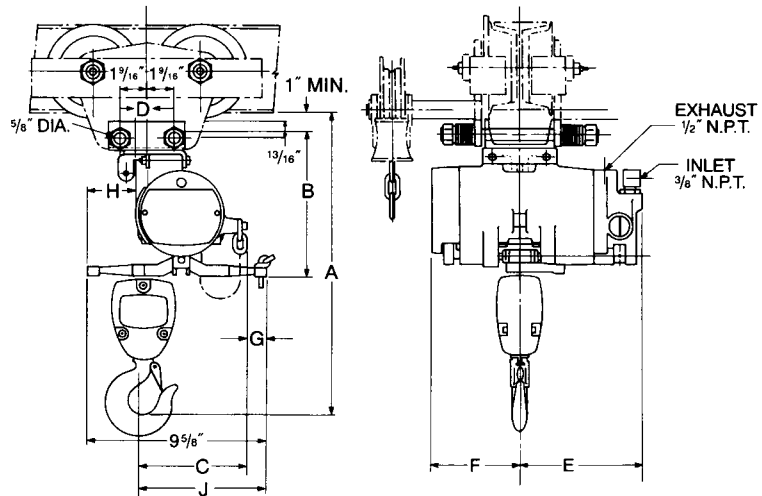
NOTE: All dimensions in inches unless otherwise indicated.

**CAH Small Frame (Lug Mount) 1/4 - 1 Ton**

1/4 and 1/2 Ton - Standard  
3/8 Ton - Spark Resistant



1 Ton - Standard  
3/4 Ton - Spark Resistant

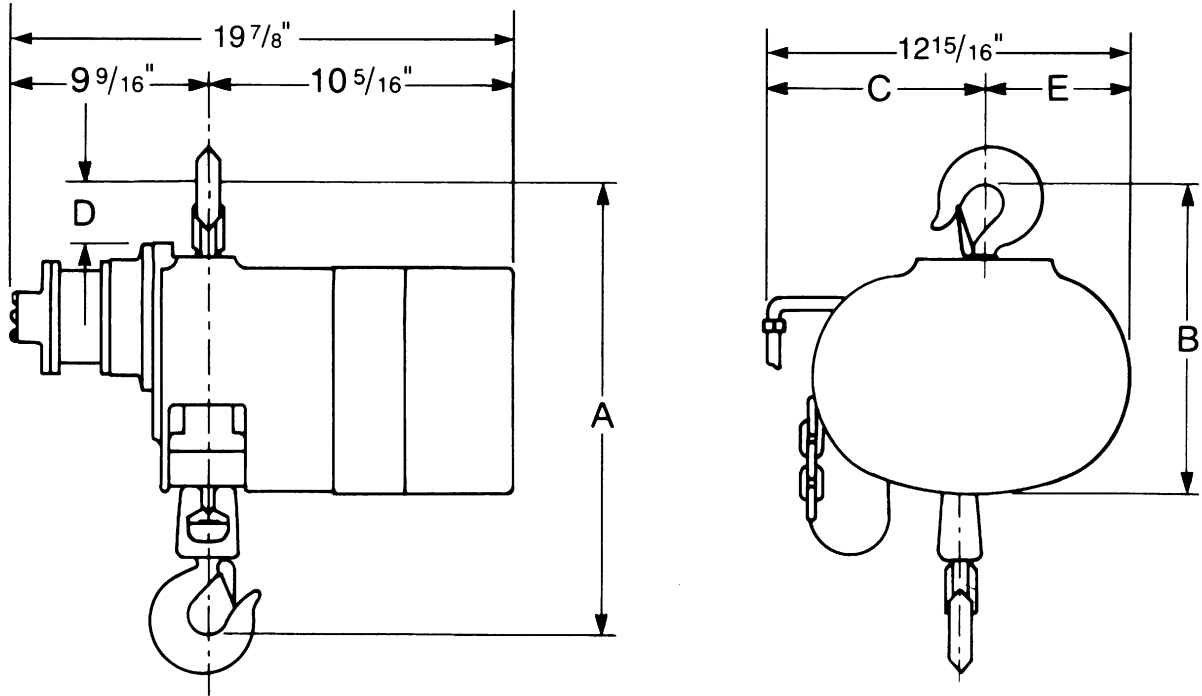


**Dimensions**

Model Number	Rated Load (Ton)	A	B	C	D	E	F	G	H	J
CAH-0565-LC	1/4	13 <sup>7</sup> / <sub>8</sub>	8 <sup>1</sup> / <sub>8</sub>	4 <sup>3</sup> / <sub>4</sub>	1 <sup>3</sup> / <sub>4</sub>	7 <sup>1</sup> / <sub>16</sub>	5 <sup>1</sup> / <sub>16</sub>	15 <sup>1</sup> / <sub>16</sub>	2 <sup>3</sup> / <sub>16</sub>	5 <sup>11</sup> / <sub>16</sub>
CAH-0565-LP	1/4	13 <sup>7</sup> / <sub>8</sub>	8 <sup>1</sup> / <sub>8</sub>	4 <sup>3</sup> / <sub>4</sub>	1 <sup>3</sup> / <sub>4</sub>	7 <sup>1</sup> / <sub>16</sub>	5 <sup>1</sup> / <sub>16</sub>	15 <sup>1</sup> / <sub>16</sub>	2 <sup>3</sup> / <sub>16</sub>	5 <sup>11</sup> / <sub>16</sub>
CAH-0565-RC	1/4	13 <sup>7</sup> / <sub>8</sub>	8 <sup>1</sup> / <sub>8</sub>	4 <sup>3</sup> / <sub>4</sub>	1 <sup>3</sup> / <sub>4</sub>	7 <sup>1</sup> / <sub>16</sub>	5 <sup>1</sup> / <sub>16</sub>	15 <sup>1</sup> / <sub>16</sub>	2 <sup>3</sup> / <sub>16</sub>	5 <sup>11</sup> / <sub>16</sub>
CAH-0565-RP	1/4	13 <sup>7</sup> / <sub>8</sub>	8 <sup>1</sup> / <sub>8</sub>	4 <sup>3</sup> / <sub>4</sub>	1 <sup>3</sup> / <sub>4</sub>	7 <sup>1</sup> / <sub>16</sub>	5 <sup>1</sup> / <sub>16</sub>	15 <sup>1</sup> / <sub>16</sub>	2 <sup>3</sup> / <sub>16</sub>	5 <sup>11</sup> / <sub>16</sub>
CAH-1045-LC	1/2	13 <sup>7</sup> / <sub>8</sub>	8 <sup>1</sup> / <sub>8</sub>	4 <sup>3</sup> / <sub>4</sub>	1 <sup>3</sup> / <sub>4</sub>	7 <sup>1</sup> / <sub>16</sub>	5 <sup>1</sup> / <sub>16</sub>	15 <sup>1</sup> / <sub>16</sub>	2 <sup>3</sup> / <sub>16</sub>	5 <sup>11</sup> / <sub>16</sub>
CAH-1045-LP	1/2	13 <sup>7</sup> / <sub>8</sub>	8 <sup>1</sup> / <sub>8</sub>	4 <sup>3</sup> / <sub>4</sub>	1 <sup>3</sup> / <sub>4</sub>	7 <sup>1</sup> / <sub>16</sub>	5 <sup>1</sup> / <sub>16</sub>	15 <sup>1</sup> / <sub>16</sub>	2 <sup>3</sup> / <sub>16</sub>	5 <sup>11</sup> / <sub>16</sub>
CAH-1045-RC	1/2	13 <sup>7</sup> / <sub>8</sub>	8 <sup>1</sup> / <sub>8</sub>	4 <sup>3</sup> / <sub>4</sub>	1 <sup>3</sup> / <sub>4</sub>	7 <sup>1</sup> / <sub>16</sub>	5 <sup>1</sup> / <sub>16</sub>	15 <sup>1</sup> / <sub>16</sub>	2 <sup>3</sup> / <sub>16</sub>	5 <sup>11</sup> / <sub>16</sub>
CAH-1045-RP	1/2	13 <sup>7</sup> / <sub>8</sub>	8 <sup>1</sup> / <sub>8</sub>	4 <sup>3</sup> / <sub>4</sub>	1 <sup>3</sup> / <sub>4</sub>	7 <sup>1</sup> / <sub>16</sub>	5 <sup>1</sup> / <sub>16</sub>	15 <sup>1</sup> / <sub>16</sub>	2 <sup>3</sup> / <sub>16</sub>	5 <sup>11</sup> / <sub>16</sub>
CAH-2023-LC	1	17	8 <sup>1</sup> / <sub>4</sub>	5 <sup>3</sup> / <sub>4</sub>	3 <sup>1</sup> / <sub>4</sub>	7 <sup>1</sup> / <sub>16</sub>	5 <sup>1</sup> / <sub>16</sub>	15 <sup>1</sup> / <sub>16</sub>	2 <sup>3</sup> / <sub>16</sub>	6 <sup>11</sup> / <sub>16</sub>
CAH-2023-LP	1	17	8 <sup>1</sup> / <sub>4</sub>	5 <sup>3</sup> / <sub>4</sub>	3 <sup>1</sup> / <sub>4</sub>	7 <sup>1</sup> / <sub>16</sub>	5 <sup>1</sup> / <sub>16</sub>	15 <sup>1</sup> / <sub>16</sub>	2 <sup>3</sup> / <sub>16</sub>	6 <sup>11</sup> / <sub>16</sub>
CAH-2023-RC	1	17	8 <sup>1</sup> / <sub>4</sub>	5 <sup>3</sup> / <sub>4</sub>	3 <sup>1</sup> / <sub>4</sub>	7 <sup>1</sup> / <sub>16</sub>	5 <sup>1</sup> / <sub>16</sub>	15 <sup>1</sup> / <sub>16</sub>	2 <sup>3</sup> / <sub>16</sub>	6 <sup>11</sup> / <sub>16</sub>
CAH-2023-RP	1	17	8 <sup>1</sup> / <sub>4</sub>	5 <sup>3</sup> / <sub>4</sub>	3 <sup>1</sup> / <sub>4</sub>	7 <sup>1</sup> / <sub>16</sub>	5 <sup>1</sup> / <sub>16</sub>	15 <sup>1</sup> / <sub>16</sub>	2 <sup>3</sup> / <sub>16</sub>	6 <sup>11</sup> / <sub>16</sub>
<b>Spark Resistant Models</b>										
CAH-0760-CS	3/8	13 <sup>7</sup> / <sub>8</sub>	8 <sup>1</sup> / <sub>8</sub>	4 <sup>3</sup> / <sub>4</sub>	1 <sup>3</sup> / <sub>4</sub>	7 <sup>1</sup> / <sub>16</sub>	5 <sup>1</sup> / <sub>16</sub>	15 <sup>1</sup> / <sub>16</sub>	2 <sup>3</sup> / <sub>16</sub>	5 <sup>11</sup> / <sub>16</sub>
CAH-0760-PS	3/8	13 <sup>7</sup> / <sub>8</sub>	8 <sup>1</sup> / <sub>8</sub>	4 <sup>3</sup> / <sub>4</sub>	1 <sup>3</sup> / <sub>4</sub>	7 <sup>1</sup> / <sub>16</sub>	5 <sup>1</sup> / <sub>16</sub>	15 <sup>1</sup> / <sub>16</sub>	2 <sup>3</sup> / <sub>16</sub>	5 <sup>11</sup> / <sub>16</sub>
CAH-1529-CS	3/4	17	8 <sup>1</sup> / <sub>4</sub>	5 <sup>3</sup> / <sub>4</sub>	3 <sup>1</sup> / <sub>4</sub>	7 <sup>1</sup> / <sub>16</sub>	5 <sup>1</sup> / <sub>16</sub>	15 <sup>1</sup> / <sub>16</sub>	2 <sup>3</sup> / <sub>16</sub>	6 <sup>11</sup> / <sub>16</sub>
CAH-1529-PS	3/4	17	8 <sup>1</sup> / <sub>4</sub>	5 <sup>3</sup> / <sub>4</sub>	3 <sup>1</sup> / <sub>4</sub>	7 <sup>1</sup> / <sub>16</sub>	5 <sup>1</sup> / <sub>16</sub>	15 <sup>1</sup> / <sub>16</sub>	2 <sup>3</sup> / <sub>16</sub>	6 <sup>11</sup> / <sub>16</sub>

NOTE: All dimensions in inches unless otherwise indicated.

**CAH Large Frame (Hook Mount) 1/2 - 3 Ton**

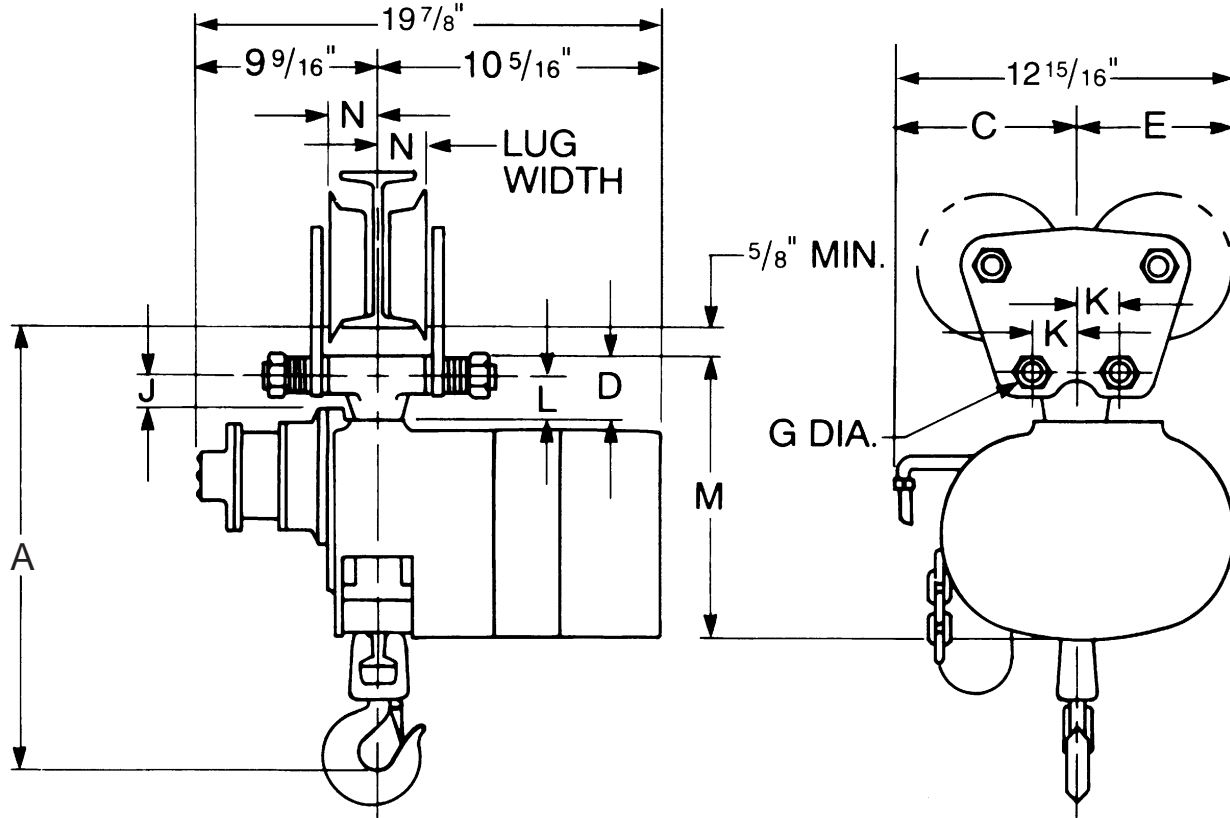


**Dimensions**

Model Number	Rated Load (Ton)	A	B	C	D	E
CAH-2013	1	16 <sup>9</sup> / <sub>16</sub>	11 <sup>1</sup> / <sub>16</sub>	6 <sup>3</sup> / <sub>4</sub>	2 <sup>11</sup> / <sub>16</sub>	6 <sup>3</sup> / <sub>16</sub>
CAH-2030	1	16 <sup>9</sup> / <sub>16</sub>	11 <sup>1</sup> / <sub>16</sub>	6 <sup>3</sup> / <sub>4</sub>	2 <sup>11</sup> / <sub>16</sub>	6 <sup>3</sup> / <sub>16</sub>
CAH-4006	2	22 <sup>1</sup> / <sub>4</sub>	12 <sup>13</sup> / <sub>16</sub>	8 <sup>1</sup> / <sub>16</sub>	4 <sup>7</sup> / <sub>16</sub>	4 <sup>7</sup> / <sub>8</sub>
CAH-4015	2	22 <sup>1</sup> / <sub>4</sub>	12 <sup>13</sup> / <sub>16</sub>	8 <sup>1</sup> / <sub>16</sub>	4 <sup>7</sup> / <sub>16</sub>	4 <sup>7</sup> / <sub>8</sub>
CAH-6004	3	24	14 <sup>3</sup> / <sub>8</sub>	5 <sup>13</sup> / <sub>16</sub>	5 <sup>5</sup> / <sub>8</sub>	7 <sup>1</sup> / <sub>8</sub>
CAH-6010	3	24	14 <sup>3</sup> / <sub>8</sub>	5 <sup>13</sup> / <sub>16</sub>	5 <sup>5</sup> / <sub>8</sub>	7 <sup>1</sup> / <sub>8</sub>
<i>Spark Resistant Models</i>						
CAH-1016-S	1/2	16 <sup>3</sup> / <sub>4</sub>	11 <sup>1</sup> / <sub>16</sub>	6 <sup>3</sup> / <sub>4</sub>	2 <sup>11</sup> / <sub>16</sub>	6 <sup>3</sup> / <sub>16</sub>
CAH-2008-S	1	22 <sup>7</sup> / <sub>8</sub>	12 <sup>13</sup> / <sub>16</sub>	8 <sup>1</sup> / <sub>16</sub>	4 <sup>7</sup> / <sub>16</sub>	4 <sup>7</sup> / <sub>8</sub>
CAH-4005-S	2	25 <sup>7</sup> / <sub>8</sub>	14 <sup>3</sup> / <sub>8</sub>	5 <sup>13</sup> / <sub>16</sub>	5 <sup>5</sup> / <sub>8</sub>	7 <sup>1</sup> / <sub>8</sub>

**NOTE:** All dimensions in inches unless otherwise indicated.

**CAH Large Frame (Lug Mount) 1/2 - 3 Ton**



**Dimensions**

Model Number	Rated Load (Ton)	A	C	D	E	G	J	K	L	M	N
CAH-2013	1	16 <sup>1</sup> / <sub>16</sub>	6 <sup>3</sup> / <sub>4</sub>	2	6 <sup>3</sup> / <sub>16</sub>	5/8	7/8	1 <sup>9</sup> / <sub>16</sub>	1 <sup>5</sup> / <sub>16</sub>	9 <sup>15</sup> / <sub>16</sub>	1 <sup>13</sup> / <sub>16</sub>
CAH-2030	1	16 <sup>1</sup> / <sub>16</sub>	6 <sup>3</sup> / <sub>4</sub>	2	6 <sup>3</sup> / <sub>16</sub>	5/8	7/8	1 <sup>9</sup> / <sub>16</sub>	1 <sup>5</sup> / <sub>16</sub>	9 <sup>15</sup> / <sub>16</sub>	1 <sup>13</sup> / <sub>16</sub>
CAH-4006	2	19 <sup>3</sup> / <sub>4</sub>	8 <sup>1</sup> / <sub>16</sub>	2 <sup>13</sup> / <sub>16</sub>	4 <sup>7</sup> / <sub>8</sub>	1	1 <sup>1</sup> / <sub>2</sub>	2 <sup>1</sup> / <sub>2</sub>	1 <sup>15</sup> / <sub>16</sub>	10 <sup>11</sup> / <sub>16</sub>	2 <sup>3</sup> / <sub>16</sub>
CAH-4015	2	19 <sup>3</sup> / <sub>4</sub>	8 <sup>1</sup> / <sub>16</sub>	2 <sup>13</sup> / <sub>16</sub>	4 <sup>7</sup> / <sub>8</sub>	1	1 <sup>1</sup> / <sub>2</sub>	2 <sup>1</sup> / <sub>2</sub>	1 <sup>15</sup> / <sub>16</sub>	10 <sup>11</sup> / <sub>16</sub>	2 <sup>3</sup> / <sub>16</sub>
CAH-6004	3	23 <sup>3</sup> / <sub>4</sub>	5 <sup>13</sup> / <sub>16</sub>	4 <sup>5</sup> / <sub>8</sub>	7 <sup>1</sup> / <sub>8</sub>	1 <sup>1</sup> / <sub>4</sub>	2 <sup>15</sup> / <sub>16</sub>	3	3 <sup>3</sup> / <sub>8</sub>	12 <sup>7</sup> / <sub>8</sub>	3
CAH-6010	3	23 <sup>3</sup> / <sub>4</sub>	5 <sup>13</sup> / <sub>16</sub>	4 <sup>5</sup> / <sub>8</sub>	7 <sup>1</sup> / <sub>8</sub>	1 <sup>1</sup> / <sub>4</sub>	2 <sup>15</sup> / <sub>16</sub>	3	3 <sup>3</sup> / <sub>8</sub>	12 <sup>7</sup> / <sub>8</sub>	3
<i>Spark Resistant Models</i>											
CAH-1016-S	1/2	16 <sup>1</sup> / <sub>4</sub>	6 <sup>3</sup> / <sub>4</sub>	2	6 <sup>3</sup> / <sub>16</sub>	5/8	7/8	1 <sup>9</sup> / <sub>16</sub>	1 <sup>5</sup> / <sub>16</sub>	9 <sup>15</sup> / <sub>16</sub>	1 <sup>13</sup> / <sub>16</sub>
CAH-2008-S	1	21 <sup>3</sup> / <sub>8</sub>	8 <sup>1</sup> / <sub>16</sub>	2 <sup>13</sup> / <sub>16</sub>	4 <sup>7</sup> / <sub>8</sub>	1	1 <sup>1</sup> / <sub>2</sub>	2 <sup>1</sup> / <sub>2</sub>	1 <sup>15</sup> / <sub>16</sub>	10 <sup>11</sup> / <sub>16</sub>	2 <sup>3</sup> / <sub>16</sub>
CAH-4005-S	2	25	5 <sup>13</sup> / <sub>16</sub>	4 <sup>5</sup> / <sub>8</sub>	7 <sup>1</sup> / <sub>8</sub>	1 <sup>1</sup> / <sub>4</sub>	2 <sup>15</sup> / <sub>16</sub>	3	3 <sup>3</sup> / <sub>8</sub>	12 <sup>7</sup> / <sub>8</sub>	3

**NOTE:** All dimensions in inches unless otherwise indicated.