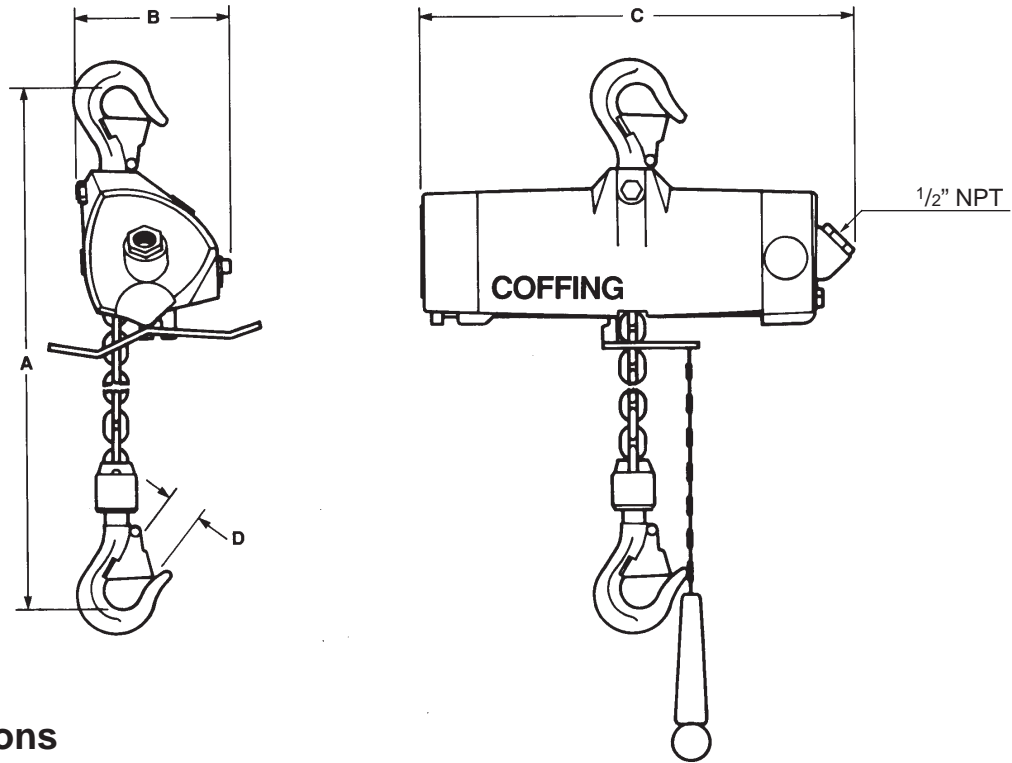
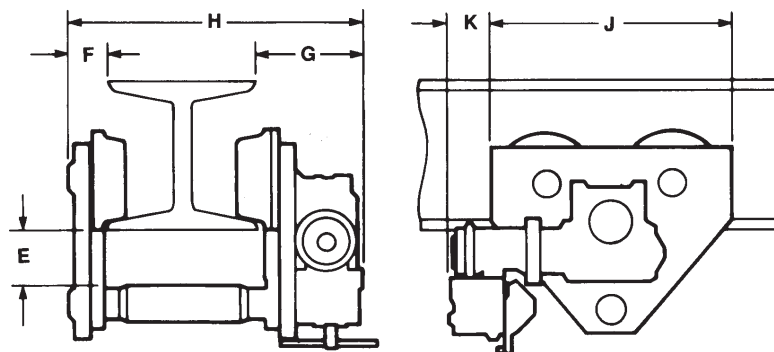


AC (Hook Mount) 1/4 to 6 Ton



Dimensions

Model Number	Rated Load		A	B	C	D	Reeving
	(Lbs.)	(Ton)					
AC-0500	500	1/4	14 ^{13/16}	4 ^{15/16}	15 ^{3/8}	1 ^{3/16}	Single
AC-1000	1000	1/2	14 ^{13/16}	4 ^{15/16}	15 ^{3/8}	1 ^{3/16}	Single
AC-2000	2000	1	17 ^{1/2}	4 ^{5/8}	15 ^{3/8}	1 ^{3/16}	Double
AC-6000	6000	3	22 ^{5/8}	8 ^{5/16}	21 ^{1/2}	2	Single
AC-12000	12000	6	30 ^{7/8}	9 ^{13/16}	21 ^{1/2}	2 ^{7/16}	Double



Air Powered Trolley For 3 & 6 Ton AC Hoist

Product Code	Rated Load (Lbs.)	Beam Height (Ins.)	Flange Width (Ins.)	Minimum Radius Curve (Ins.)	E	F	G	H	J	K	Shipping Weight (Lbs.)
17450	6000	12-24	5.20-10.30	55	3 ^{1/4}	1 ^{1/2}	6 ^{5/16}	13	12 ^{15/16}	5	99
17455	12000	18-24	5.70-10.30	70	4 ^{5/8}	1 ^{5/8}	7 ^{1/8}	14 ^{7/16}	16 ^{5/8}	3 ^{1/8}	212

Dimensions are in inches unless otherwise indicated.